



NUT, PLATE, SELF-LOCKING, LOW HEIGHT, C'BORED, ONE LUG, REDUCED RIVET SPACING

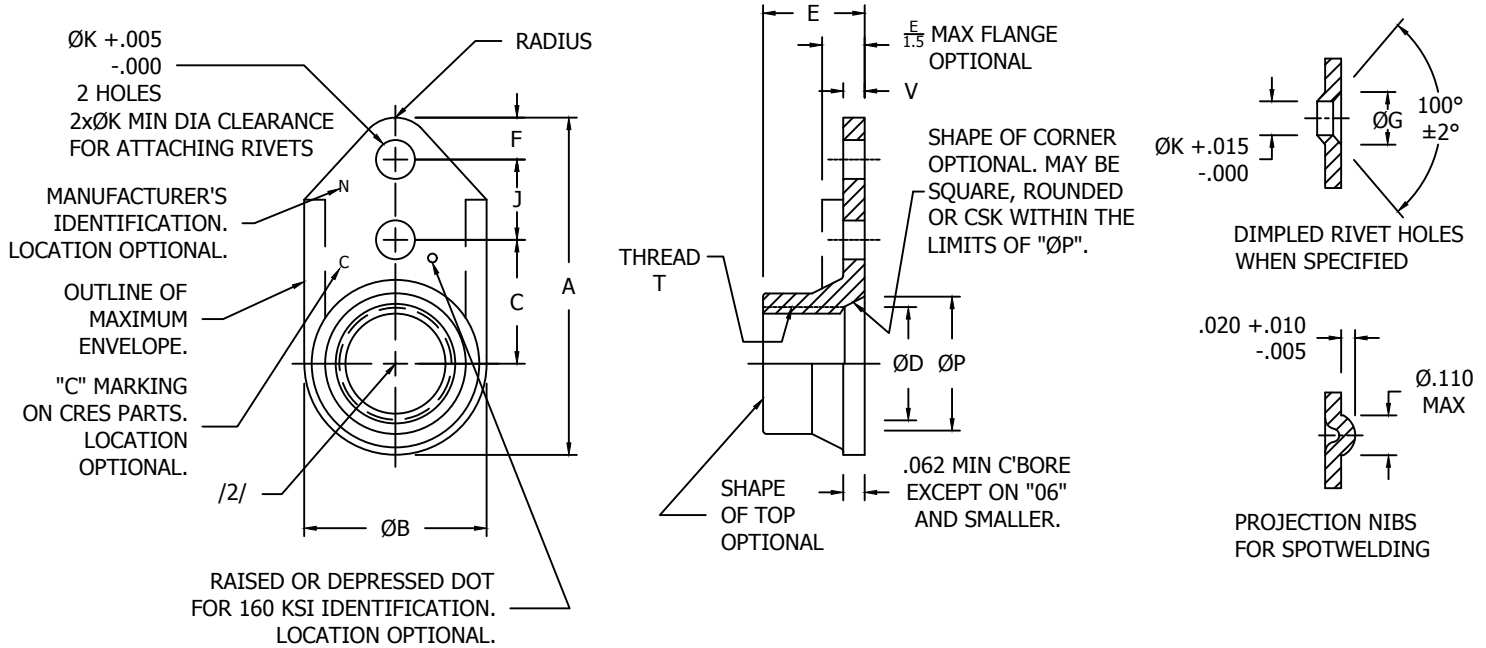


TABLE I - DIMENSIONS AND DASH NUMBERS

DASH NUMBERS				T THREAD /3/	A MAX	ØB		C BASIC /2/	ØD MIN
STEEL		CRES				MAX	MIN		
CADMIUM +MoS2 450°F	CADMIUM W/O MoS2 450°F	SILVER PLATE 800°F	MoS2 W/O SILVER 450°F						
NA2417-40	NA2417X-40	NA2417CS-40	NA2417CM-40	.1120-40 UNJC-3B	.667	.260	.140	.203	---
NA2417-62	NA2417X-62	NA2417CS-62	NA2417CM-62	.1380-32 UNJC-3B	.684	.265	.195	.218	---
NA2417-82	NA2417X-82	NA2417CS-82	NA2417CM-82	.1640-32 UNJC-3B	.716	.297	.235	.234	.168
NA2417-02	NA2417X-02	NA2417CS-02	NA2417CM-02	.1900-32 UNJF-3B	.745	.328	.298	.250	.194
NA2417-048	NA2417X-048	NA2417CS-048	NA2417CM-048	.2500-28 UNJF-3B	.822	.414	.380	.281	.254
NA2417-054	NA2417X-054	NA2417CS-054	NA2417CM-054	.3125-24 UNJF-3B	1.026	.505	.475	.359	.317
NA2417-064	NA2417X-064	NA2417CS-064	NA2417CM-064	.3750-24 UNJF-3B	1.139	.614	.580	.414	.379

T THREAD /3/	E MAX /1/	F MIN	ØG ±.010	J ±.002	ØK	ØP MAX	V MAX	WEIGHT LBS/100		AXIAL TENSILE STRENGTH LBF
								AVG (REF)	MAX	
.1120-40 UNJC-3B	.143	.089	.200	.219	.098	.166	.040	---	.12	1,120
.1380-32 UNJC-3B	.171	.089	.200	.219	.098	.206	.047	---	.15	1,600
.1640-32 UNJC-3B	.250	.100	.200	.219	.098	.248	.047	---	.23	2,500
.1900-32 UNJF-3B	.250	.100	.200	.219	.098	.274	.047	---	.27	3,620
.2500-28 UNJF-3B	.281	.100	.200	.219	.098	.344	.055	---	.46	6,470
.3125-24 UNJF-3B	.328	.125	.230	.269	.130	.417	.065	---	.85	10,200
.3750-24 UNJF-3B	.344	.125	.230	.269	.130	.505	.075	---	2.04	15,200

CONFORMS TO:
NASM25027
AS8879

NAFCO USA, LLC
CARSON CITY, NV 89706

PART NUMBER
NA2417
FEDERAL SUPPLY CODE: 32387