



# JIFFYNUT, MINIATURE, SELF-LOCKING AND NON-LOCKING

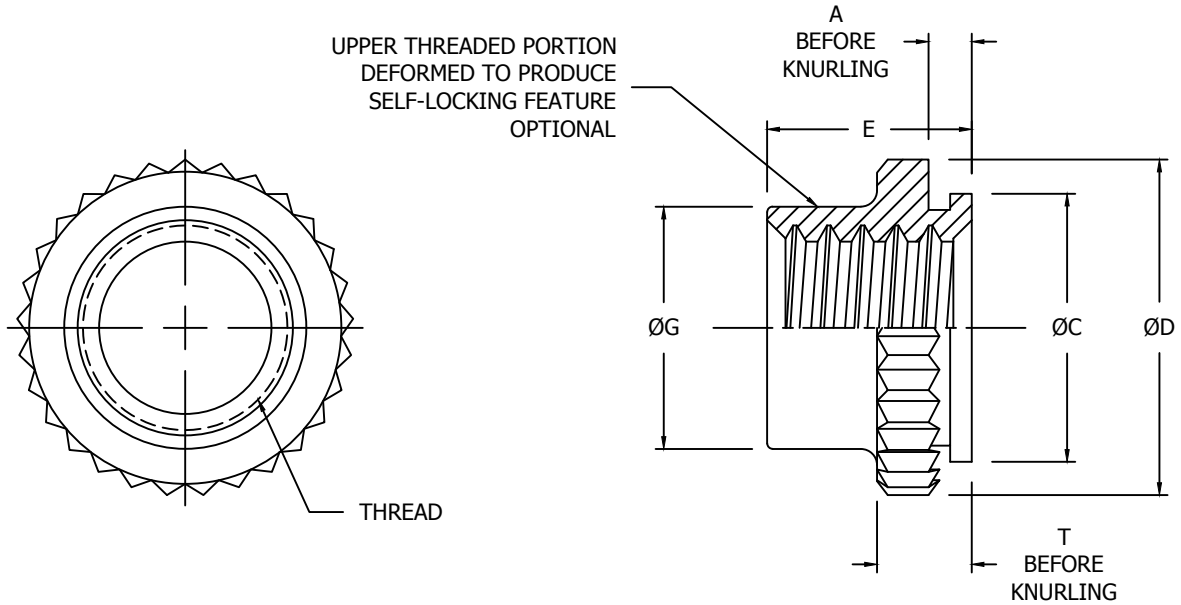


TABLE I - PART DIMENSIONS AND DASH NUMBERS

DASH NUMBER		THREAD CLASS 3B AS8879	A ±.004	SHEET THKNS MIN	HOLE SIZE IN SHEET +.004 -.001	ØC +.001 -.004	ØD ±.015	E ±.015	ØG ±.005	T ±.005	CENTER OF HOLE TO SHEET EDGE MIN /5/
ALLOY STEEL (450°F)	CRES 303 (450°F)										
1	1C	.0860-56 UNJC	.030	.040	.201	.199	.260	.178	.125	.078	.188
3	3C	.1120-40 UNJC	.030	.040	.201	.199	.260	.178	.160	.078	.203
5	5C	.1380-32 UNJC	.030	.040	.228	.226	.290	.178	.175	.078	.250
7	7C	.1640-32 UNJC	.040	.050	.281	.279	.350	.188	.215	.088	.281
9	9C	.1900-32 UNJF	.040	.050	.281	.279	.350	.188	.240	.088	.281
10	10C	.2500-28 UNJF	.050	.060	.375	.373	.450	.250	.313	.115	.375
11	11C	.3125-24 UNJF	.063	.080	.406	.404	.490	.312	.386	.141	.406
12	12C	.3750-24 UNJF	.094	.125	.500	.498	.560	.375	.448	.188	.500
13	13C	.1900-24 UNJC	.040	.050	.281	.279	.350	.188	.240	.088	.281
14	14C	.2500-20 UNJC	.050	.060	.375	.373	.450	.250	.313	.115	.375
15	15C	.3125-18 UNJC	.063	.080	.406	.404	.490	.312	.386	.141	.406
16	16C	.3750-16 UNJC	.094	.125	.500	.498	.560	.375	.448	.188	.500

CONFORMS TO:  
NASM25027  
AS8879

**NAFCO USA, LLC**  
CARSON CITY, NV 89706

PART NUMBER  
**NA2216**  
FEDERAL SUPPLY CODE: 32387