



GANG CHANNEL, VARIABLE COUNTERBORE, REPLACABLE NUT ELEMENT, 160,000 PSI, 450°F

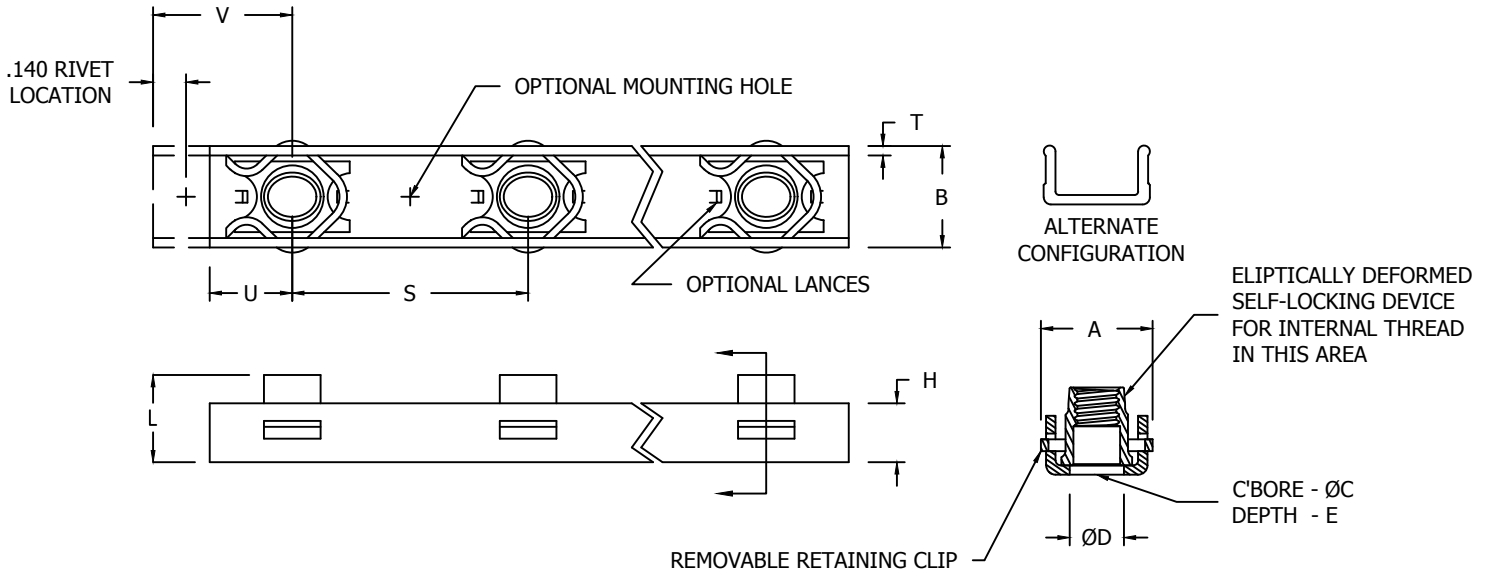


TABLE I - DIMENSIONS AND DASH NUMBERS

NAFCO PART NUMBER	THREAD (AS8879)	A REF	B MAX	ØC MIN	ØD ±.005	E MIN /6/	H REF	L MAX ±.005	T ±.005	U +.030 -0.000	V +.030 -0.000	PUSH OUT LB. MIN.	TORQUE OUT IN-LBS. MIN.
NA2066-1-02(-)	.1900-32 UNJF-3B	.474	.442	.194	.224	.070	.250	.250	.040	.350	.590	200	90
NA2066-2-02(-)						.312							
NA2066-3-02(-)						.188							
NA2066-4-02(-)						.250							
NA2066-5-02(-)						.313							
NA2066-6-02(-)						.375							
NA2066-1-048(-)	.2500-28 UNJF-3B	.574	.532	.254	.285	.070	.298	.305	.040	.400	.640	225	160
NA2066-2-048(-)						.125							
NA2066-3-048(-)						.188							
NA2066-4-048(-)						.250							
NA2066-5-048(-)						.313							
NA2066-6-048(-)						.375							
NA2066-1-054(-)	.3125-24 UNJF-3B	.710	.640	.317	.348	.070	.344	.370	.050	.450	.720	250	280
NA2066-2-054(-)						.125							
NA2066-3-054(-)						.188							
NA2066-4-054(-)						.250							
NA2066-5-054(-)						.313							
NA2066-6-054(-)						.375							
NA2066-1-064(-)	.3750-24 UNJF-3B	.830	.733	.379	.410	.070	.380	.454	.062	.520	.790	250	420
NA2066-2-064(-)						.125							
NA2066-3-064(-)						.188							
NA2066-4-064(-)						.250							
NA2066-5-064(-)						.313							
NA2066-6-064(-)						.375							
NA2066-1-070(-)	.4375-20 UNJF-3B	.960	.830	.442	.473	.070	.400	.592	.062	.570	.840	250	610
NA2066-2-070(-)						.125							
NA2066-3-070(-)						.188							
NA2066-4-070(-)						.250							
NA2066-5-070(-)						.313							
NA2066-6-070(-)						.375							
NA2066-1-080(-)	.5000-20 UNJF-3B	1.075	.955	.504	.535	.070	.500	.665	.078	.625	.895	250	790
NA2066-2-080(-)						.125							
NA2066-3-080(-)						.188							
NA2066-4-080(-)						.250							
NA2066-5-080(-)						.313							
NA2066-6-080(-)						.375							

CONFORMS TO:
NASM25027
AS8879

NAFCO USA, LLC
CARSON CITY, NV 89706

PART NUMBER
NA2066
FEDERAL SUPPLY CODE NO. 32387