



NUT, PLATE, SELF-LOCKING, RIGHT ANGLE, FLOATING, C'BORE, REGULAR HEIGHT

NAFCO IDENTIFICATION- "N"
(LOCATION OPTIONAL)

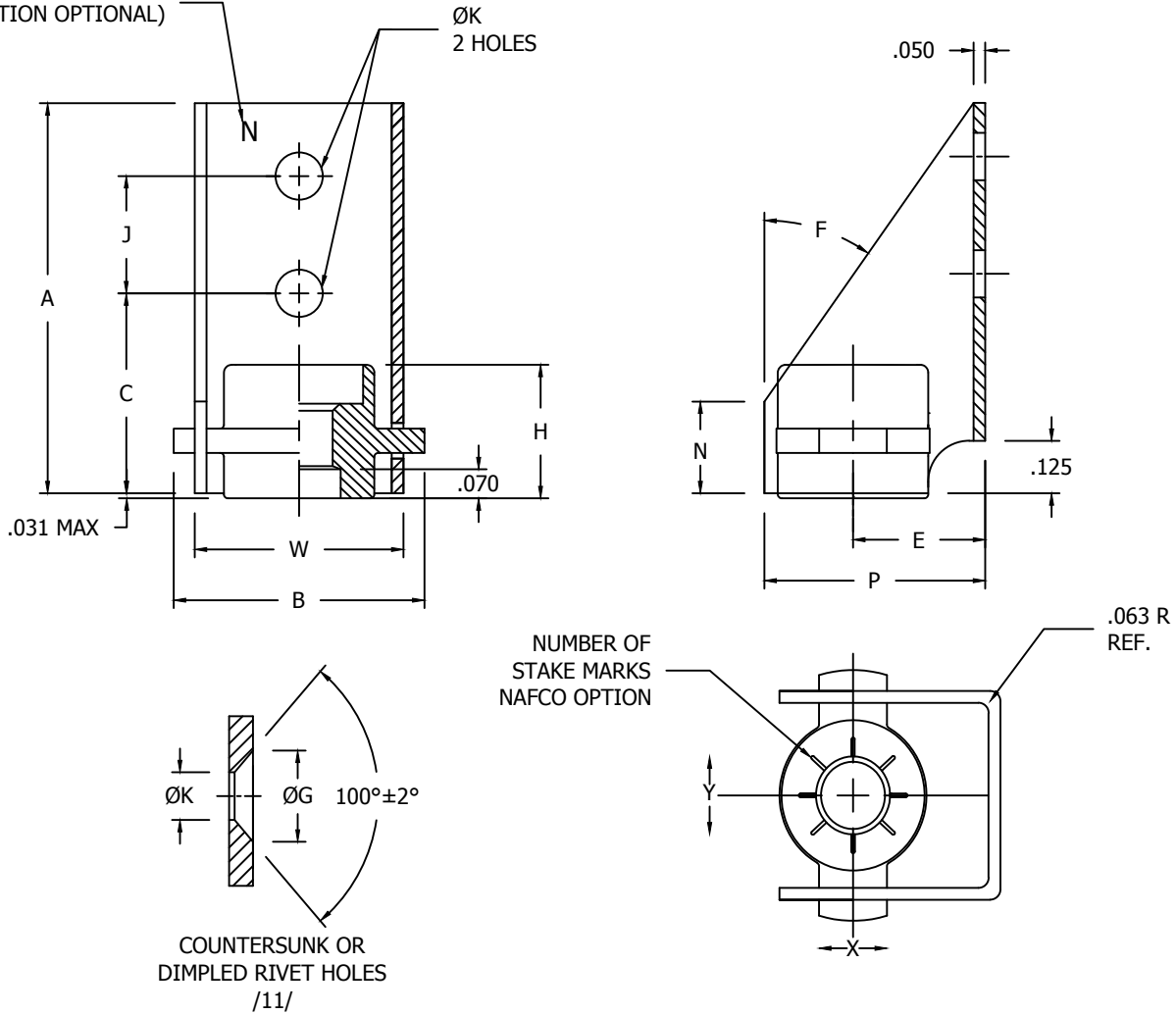


TABLE I - DIMENSIONS AND DASH NUMBERS

NAFCO PART NUMBER	DASH NUMBER	THREAD (MIL-S-8879)	A	B /10/	C	E	F REF	H /10/	J ±.002	K +.005 -.000	N	P	W	APPROX WEIGHT LB/100
	NYLON INSERT AL ALLOY NUT 250°F													
NA2230-62	D06	.1380-32 UNJC-3B	.859	.578	.469	.281	30°	.328	.250	.098	.250	.484	.506	1.90
NA2230-82	D08	.1640-32 UNJC-3B	.859	.578	.469	.281	30°	.328	.250	.098	.250	.484	.506	1.80
NA2230-02	D3	.1900-32 UNJF-3B	.859	.578	.469	.281	30°	.328	.250	.098	.250	.484	.506	1.70
NA2230-048	D4	.2500-28 UNJF-3B	.859	.641	.469	.313	35°	.359	.250	.098	.296	.531	.568	2.50
NA2230-054	D5	.3125-24 UNJF-3B	.953	.703	.563	.344	34°	.422	.250	.130	.296	.563	.631	3.00

CONFORMS TO:
NASM25027
AS8879

NAFCO USA, LLC
CARSON CITY, NV 89706

PART NUMBER
NA2230
FEDERAL SUPPLY CODE: 32387