

CLINCHNUT SELF-LOCKING, MINIMAL DISPLACEMENT KNURL FORM

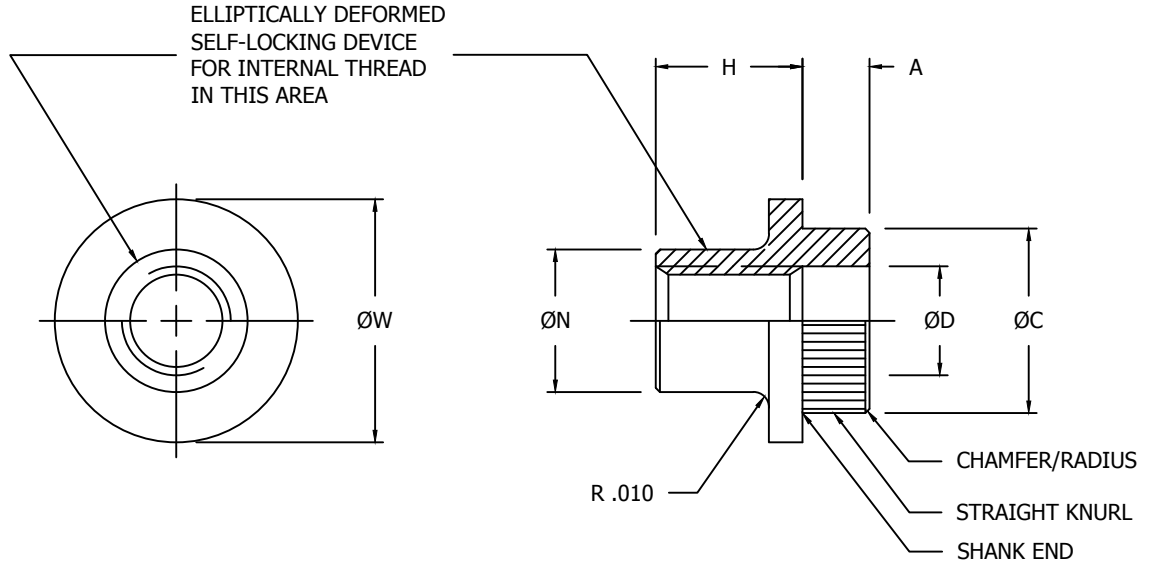


TABLE I - DIMENSIONS AND DASH NUMBERS

NAFCO PART NUMBER	THREAD (AS8879)	A ±.003	ØC +.000 - .002	ØD +.005 - .000	H ±.010	ØN MAX.	ØW ±.010	APPROX. WT. LBS./100
NA2336-26-1	.0860-56 UNJC-3B	.040	.129	.096	.085	.118	.156	.03
NA2336-26-2		.060						.03
NA2336-40-1	.1120-40 UNJC-3B	.040	.160	.128	.112	.154	.203	.05
NA2336-40-2		.060						.05
NA2336-62-1	.1380-32 UNJC-3B	.040	.192	.152	.120	.182	.234	.08
NA2336-62-2		.060						.08
NA2336-82-1	.1640-32 UNJC-3B	.040	.223	.178	.120	.207	.281	.09
NA2336-82-2		.060						.09
NA2336-02-1	.1900-32 UNJF-3B	.040	.254	.210	.120	.231	.328	.15
NA2336-02-2		.060						.16
NA2336-048-1	.2500-28 UNJF-3B	.040	.316	.255	.214	.306	.391	.27
NA2336-048-2		.060						.28

MATERIAL: NO CODE -- CARBON STEEL, GRADE 1018 PER ASTM A510/A510M, FOR SIZES .0860 AND .1120.
 ALLOY STEEL GRADE 4130 PER ASTM A322.
 "S" CODE -- CORROSION RESISTANT STEEL PER AMS5640, TYPE I OR TYPE II.
 "C" CODE -- A286 CORROSION RESISTANT STEEL PER AMS5731, AMS5732, AMS5734 OR AMS5737.

FINISH: NO CODE -- CADMIUM PLATED PER AMS-QQ-P-416, TYPE II, CLASS 3. NAFCO MOLYBDENUM DISULFIDE LUBRICANT OPTIONAL.
 "S" CODE -- PASSIVATED PER AMS2700. NAFCO MOLYBDENUM DISULFIDE LUBRICANT OPTIONAL.
 "C" CODE -- PASSIVATED PER AMS2700. NAFCO MOLYBDENUM DISULFIDE LUBRICANT OPTIONAL. SILVER PLATE PER AMS2410 OPTIONAL.

SERVICE TEMP.: NO CODE -- TO 450°F.
 "S" CODE -- TO 450°F.
 "C" CODE -- SILVER PLATED -- TO 800°F.
 NON-SILVER PLATED -- TO 450°F.

CONFORMS TO:
M45938
AS8879

NAFCO USA, LLC
CARSON CITY, NV 89706

PART NUMBER
NA2336
FSC / CAGE CODE: 32387