



NUT, ANCHOR, MINIATURE, SELF-LOCKING, TWO LUG, FIXED, CAPPED, 125,000 PSI

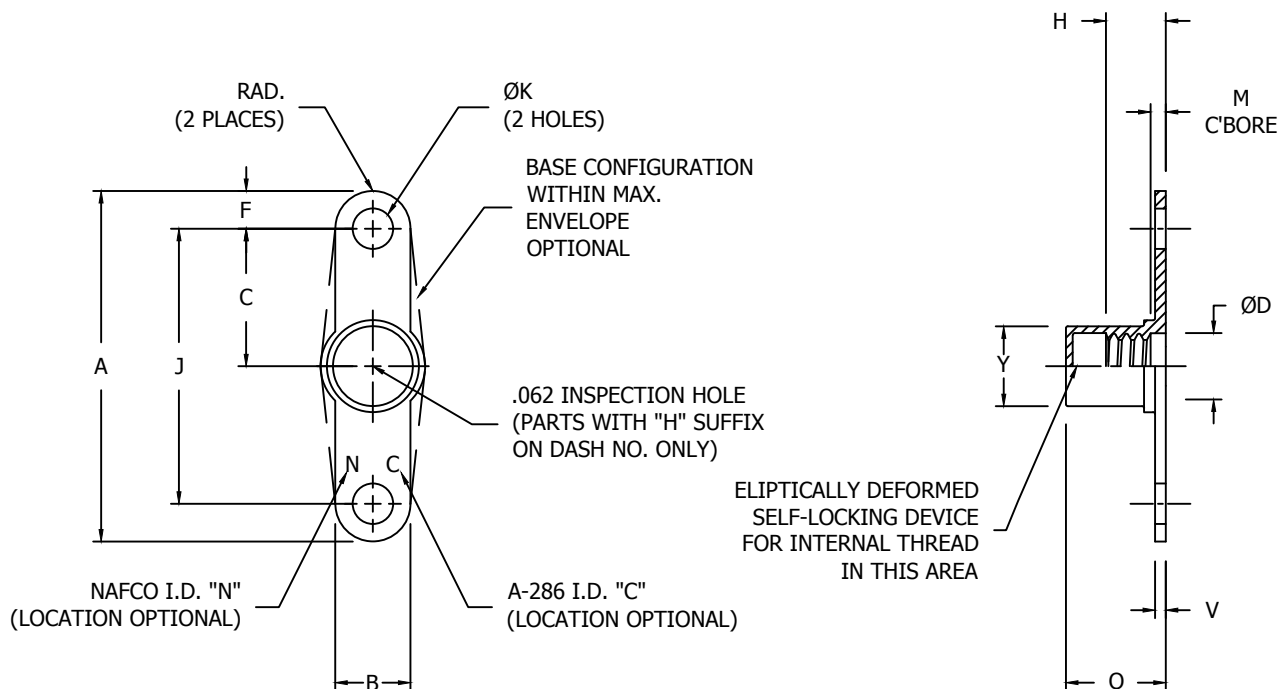


TABLE I - DIMENSIONS AND DASH NUMBERS

NAFCO PART NUMBER		THREAD	A MAX	B MAX	C ±.005	ØD MIN.	F MIN	H REF.	J ±.002	ØK +.005 -.000	M MIN.	Q +.020 -.010	V REF.	Y MAX.	APPROX. WT. LBS./100
STEEL 450°F	CRES 900°F	AS8879													
NA2135-40K	NA2135C-40K	.1120-40 UNJC-3B	.456	.205	.148	.116	.071	.134	.296	.066	---	.293	.027	.198	.12
NA2135-40K1	NA2135C-40K1											.179			.09
NA2135-62K	NA2135C-62K	.1380-32 UNJC-3B	.503	.242	.172	.142	.071	.156	.343	.066	---	.516	.031	.228	.22
NA2135-62K1	NA2135C-62K1											.375			.18
NA2135-82K	NA2135C-82K	.1640-32 UNJC-3B	.692	.297	.234	.165	.100	.228	.468	.098	.063	.516	.031	.252	.32
NA2135-82K1	NA2135C-82K1											.375			.27
NA2135-02K	NA2135C-02K	.1900-32 UNJF-3B	.724	.328	.250	.194	.100	.228	.500	.098	.063	.516	.031	.280	.36
NA2135-02K1	NA2135C-02K1											.375			.31
NA2135-048K	NA2135C-048K	.2500-28 UNJF-3B	.786	.414	.281	.254	.100	.254	.562	.098	.071	.547	.040	.347	.55
NA2135-048K1	NA2135C-048K1											.438			.50
NA2135-054K	NA2135C-054K	.3120-24 UNJF-3B	1.006	.505	.359	.317	.125	.288	.718	.130	.083	.609	.045	.411	.91
NA2135-054K1	NA2135C-054K1											.500			.80
NA2135-064K	NA2135C-064K	.3750-24 UNJF-3B	1.116	.614	.414	.379	.125	.344	.828	.130	.083	.719	.045	.472	1.32
NA2135-064K1	NA2135C-064K1											.500			1.20

CONFORMS TO:
NASM25027
AS8879

NAFCO USA, LLC
CARSON CITY, NV 89706

PART NUMBER
NA2135
FSC/CAGE CODE: 32387