



NUT, ANCHOR, MINIATURE, SELF-LOCKING, CORNER, FIXED, CAPPED, 125,000 PSI

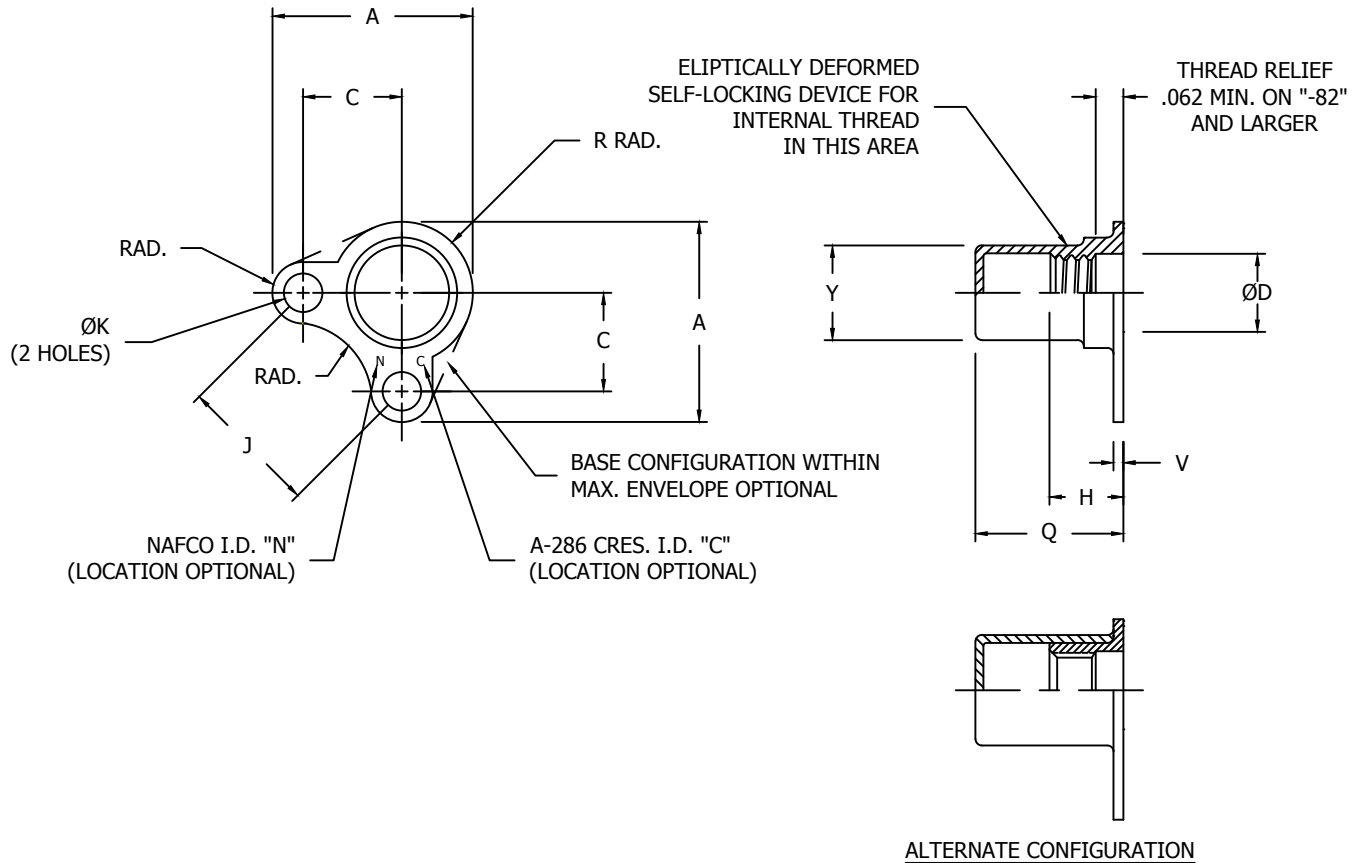


TABLE I - DIMENSIONS AND DASH NUMBERS

NAFCO PART NUMBER		THREAD AS8879	A MAX	C ±.005	ØD MIN.	H MAX.	J ±.002	ØK +.005 -.000	Q +.020 -.010	R MAX.	V MAX.	Y REF.	APPROX. WT. LBS./100
STEEL 450°F	CRES 900°F												
NA2136-40K	NA2136C-40K	.1120-40 UNJC-3B	.331	.148	---	.143	.210	.066	.293	.110	.040	.184	.12
NA2136-40K1	NA2136C-40K1								.179				.09
NA2136-62K	NA2136C-62K	.1380-32 UNJC-3B	.379	.172	---	.171	.243	.066	.516	.121	.047	.228	.23
NA2136-62K1	NA2136C-62K1								.375				.19
NA2136-82K	NA2136C-82K	.1640-32 UNJC-3B	.497	.234	.168	.250	.331	.098	.516	.148	.047	.269	.34
NA2136-82K1	NA2136C-82K1								.375				.28
NA2136-02K	NA2136C-02K	.1900-32 UNJF-3B	.526	.250	.194	.250	.354	.098	.516	.164	.047	.295	.36
NA2136-02K1	NA2136C-02K1								.375				.32
NA2136-048K	NA2136C-048K	.2500-28 UNJF-3B	.603	.281	.254	.281	.398	.098	.547	.207	.055	.371	.55
NA2136-048K1	NA2136C-048K1								.438				.49
NA2136-054K	NA2136C-054K	.3125-24 UNJF-3B	.757	.359	.317	.328	.508	.130	.609	.252	.065	.451	.91
NA2136-054K1	NA2136C-054K1								.500				.80
NA2136-064K	NA2136C-064K	.3750-24 UNJF-3B	.870	.414	.379	.344	.585	.130	.719	.307	.075	.530	1.32
NA2136-064K1	NA2136C-064K1								.500				1.20

CONFORMS TO:
NASM25027
AS8879

NAFCO USA, LLC
CARSON CITY, NV 89706

PART NUMBER
NA2136
FSC/CAGE CODE: 32387