



NUT, ANCHOR, SELF-LOCKING, RIGHT ANGLE, FLOATING, VERTICAL MOUNTING HOLES

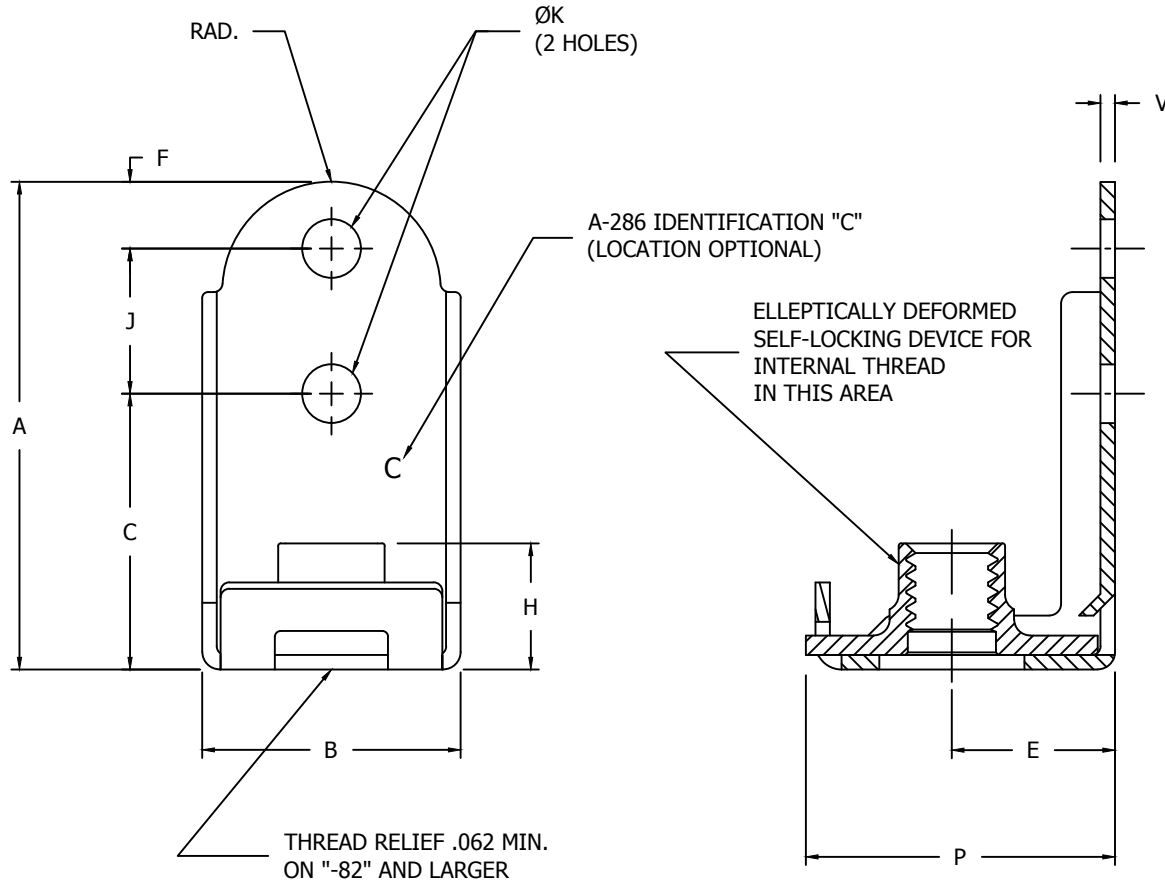


TABLE I - DIMENSIONS AND DASH NUMBERS

NAFCO PART NUMBER	DASH NUMBER			THREAD (MIL-S-8879)	A MAX	B MAX /10/	C ±.005	E ±.005	F MIN	H MAX /10/	J ±.002	K +.005 -.000	P MAX	V REF	APPROX WEIGHT LB/100
	ALL METAL														
	STEEL NUT AL ALLOY OR STEEL HOUSING 250°F	STEEL ASSY 450°F	CRES ASSY 800°F												
NA2159-40	P04	A04	C04	.1120-40 UNJC-3B	.859	.450	.469	.281	.100	.160	.250	.098	.531	.025	.60
NA2159-62	P06	A06	C06	.1380-32 UNJC-3B	.859	.450	.469	.281	.100	.170	.250	.098	.531	.025	.65
NA2159-82	P08	A08	C08	.1640-32 UNJC-3B	.859	.450	.469	.281	.100	.250	.250	.098	.531	.025	.68
NA2159-02	P3	A3	C3	.1900-32 UNJF-3B	.859	.450	.469	.281	.100	.250	.250	.098	.531	.025	.68

CONFORMS TO:
NASM25027
AS8879

NAFCO USA, LLC
CARSON CITY, NV 89706

PART NUMBER
NA2159
FEDERAL SUPPLY CODE: 32387