



NUT, ANCHOR, CORNER, FLOATING, C'BORED, 160 KSI, CRES, HIGH REUSEABILITY

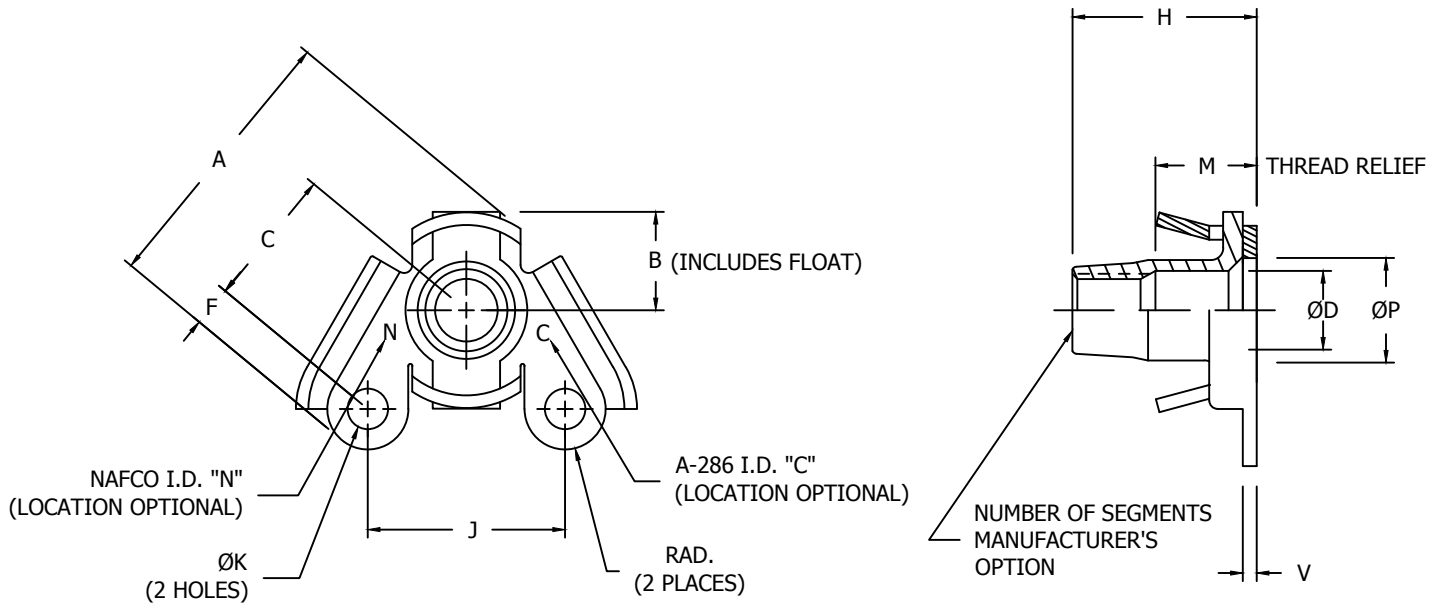


TABLE I - DIMENSIONS AND DASH NUMBERS

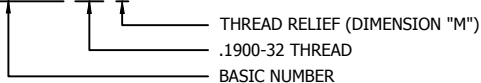
NAFCO PART NUMBER	THREAD (MIL-S-8879)	A MAX	B MAX	C ±.005	ØD MIN	F MIN	H MAX	J ±.002	K +.005 -.000	M +.015 -.000	ØP MAX	V MAX	AXIAL TENSILE STRENGTH LBS. MIN
NA2178C-02-1	.1900-32 UNJF-3B	.762	.265	.344	.194	.100	.382	.486	.098	.062	.257	.032	3470
NA2178C-02-2							.445			.125			
NA2178C-02-3							.507			.188			
NA2178C-02-4							.570			.250			
NA2178C-02-5							.632			.312			
NA2178C-048-1	.2500-28 UNJF-3B	1.038	.315	.500	.254	.100	.454	.707	.098	.062	.314	.032	6200
NA2178C-048-2							.517			.125			
NA2178C-048-3							.579			.188			
NA2178C-048-4							.642			.250			
NA2178C-048-5							.705			.312			

MATERIAL: NUT -- A-286 CRES PER AMS5732 OR AMS5737.
RETAINER -- A-286 CRES PER AMS5525.

FINISH: NUT -- MOLYBDENUM DISULFIDE DRY FILM LUBRICANT PER ASS272.
RETAINER -- PASSIVATED PER AMS2700.

PROCUREMENT SPECIFICATION:

NASM25027 EXCEPT FOR PERFORMANCE REQUIREMENTS.

EXAMPLE CALLOUT:NA2178C-02-5

CONFORMS TO:
NASM25027
AS8879

NAFCO USA, LLC

CARSON CITY, NV 89706

PART NUMBER

NA2178C

FEDERAL SUPPLY CODE: 32387