

NUT, CASTELLATED, SPANNER-END SLOTS

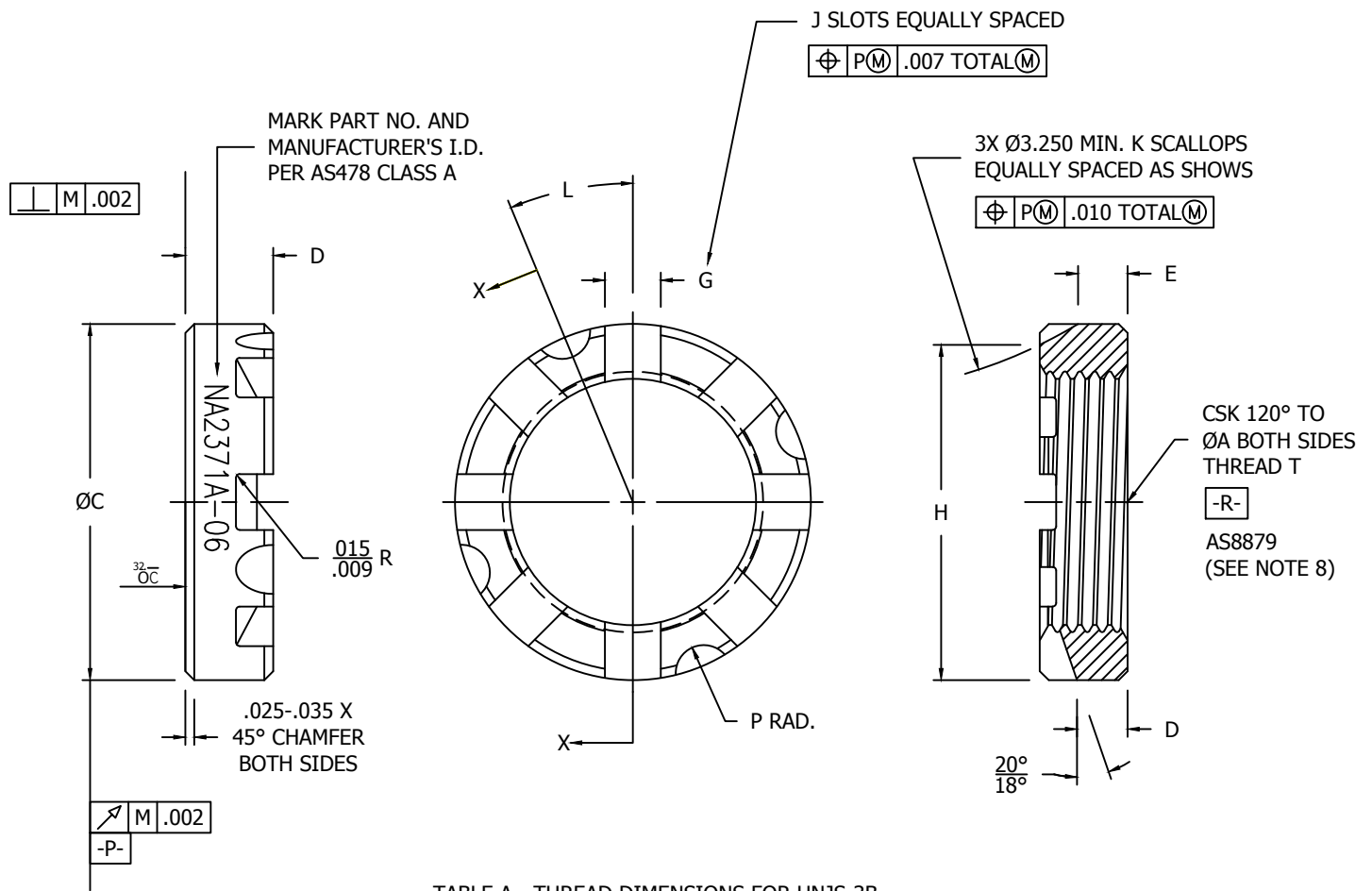


TABLE A - THREAD DIMENSIONS FOR UNJS-3B

DASH NUMBER	THREAD T (AS8879)	MINOR DIAMETER	PITCH DIAMETER	MAJOR DIAMETER MIN.
-29	2.0625-16 UNJS-3B	2.0017-2.0102	2.0219-2.0271	2.0625
-31	2.1875-16 UNJS-3B	2.1267-2.1352	2.1469-2.1521	2.1875
-33	2.3125-16 UNJS-3B	2.2517-2.2602	2.2719-2.2773	2.3125
-35	2.4375-16 UNJS-3B	2.3767-2.3852	2.3969-2.4023	2.4375
-37	2.5625-16 UNJS-3B	2.5017-2.5102	2.5219-2.5273	2.5625

MATERIAL: STEEL AMS6322 OR AMS6323.
HARDNESS: ROCKWELL C26-32.
SURFACE TEXTURE: USAS B46 1 1962 UNLESS OTHERWISE SPECIFIED, SURFACES TO BE 125 MICROINCHES.

- NOTES:**
- (1) MAGNETIC PARTICLE INSPECTION PER AMS2640.
 - (2) DIMENSIONING AND TOLERANCING USAS Y14.5-1966.
 - (3) BREAK SHARP EDGES .003-.015 UNLESS OTHERWISE SPECIFIED.
 - (4) DIMENSIONS IN INCHES UNLESS OTHERWISE SPECIFIED, TOLERANCES LINEAR DIMENSIONS ±.010, ANGULAR DIMENSIONS ±2°.
 - (5) SEE TABLE A FOR DIMENSIONS OF THREADS NOT LISTED IN AS8879.
 - (6) DO NOT USE UNASSIGNED PART NO.

AS AND AMS ARE SOCIETY OF AUTOMOTIVE ENGINEERS, INC. PUBLICATIONS.
 THIS STANDARD HAS DEVELOPED COOPERATIVELY WITH MILITARY SERVICES BY THE SAE AEROSPACE PART STANDARDS DIVISION.

CONFORMS TO:
 NASM25027
 AS8879

NAFCO USA, LLC
 CARSON CITY, NV 89706

PART NUMBER
NA2371
 FEDERAL SUPPLY CODE: 32387