



NUT, SELF-LOCKING, SHANK

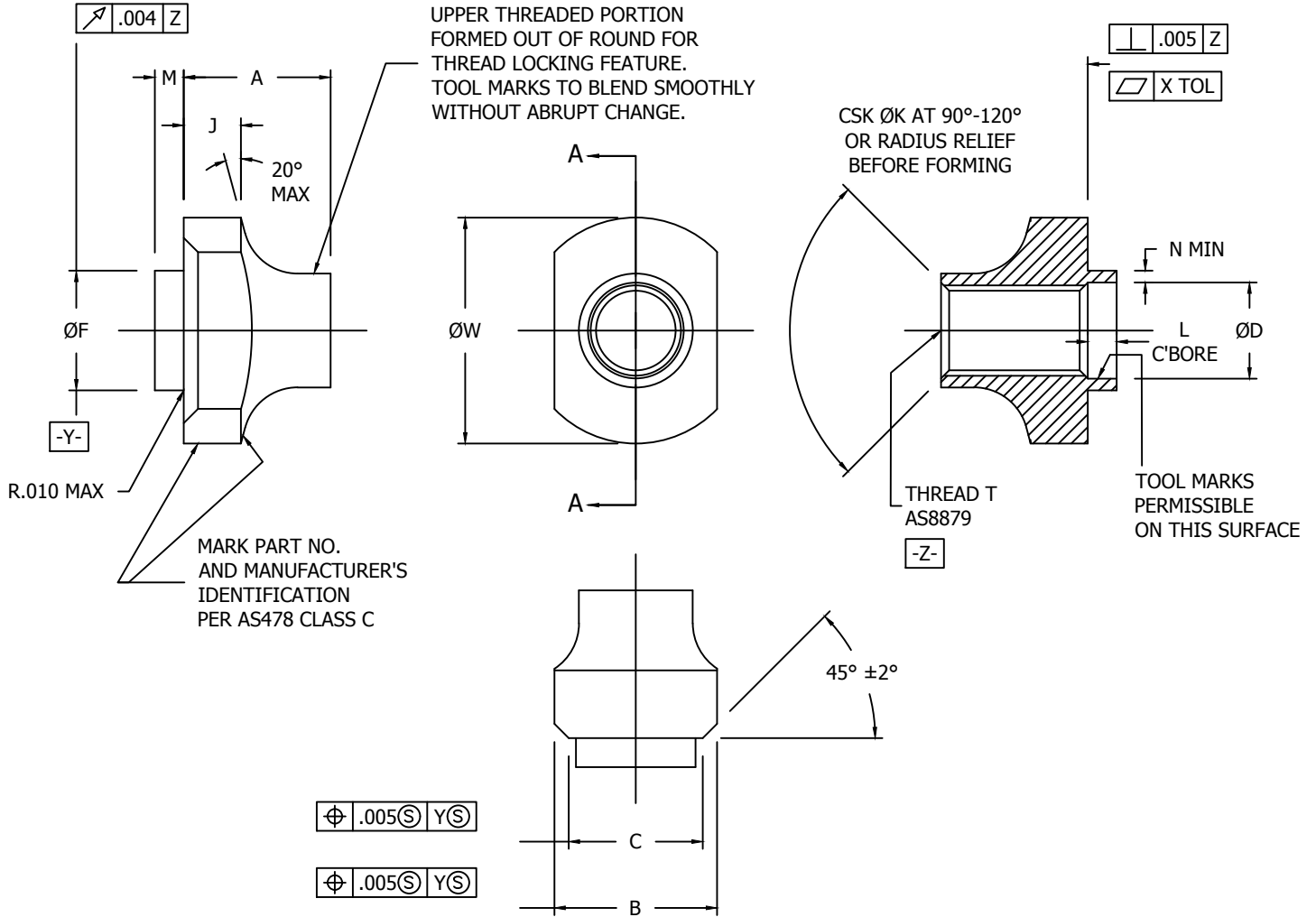


TABLE 1A - DIMENSIONS A-W

| PART NUMBER | THREAD T (AS8879) | A | ØB | ØC | ØD | ØF | ØW |
|-------------|-------------------|------------------|-------|-------|------------------|-------|-------|
| | | +0.005 -0.010 | ±.005 | ±.004 | +0.003 -0.002 | ±.002 | ±.010 |
| NA2407-86 | .1640-36 UNJF-3B | .233 | .368 | .259 | .171 | .211 | .442 |
| NA2407-02 | .1900-32 UNJF-3B | .257 | .394 | .285 | .197 | .237 | .468 |
| NA2407-048 | .2500-28 UNJF-3B | .406 | .450 | .371 | .266 | .331 | .625 |
| NA2407-054 | .3125-24 UNJF-3B | .468 | .480 | .401 | .328 | .394 | .625 |
| NA2407-064 | .3750-24 UNJF-3B | .500 | .600 | .475 | .401 | .468 | .750 |

CONFORMS TO:
NASM25027
AS8879

NAFCO USA, LLC
CARSON CITY, NV 89706

PART NUMBER
NA2407
FSC / CAGE CODE: 32387