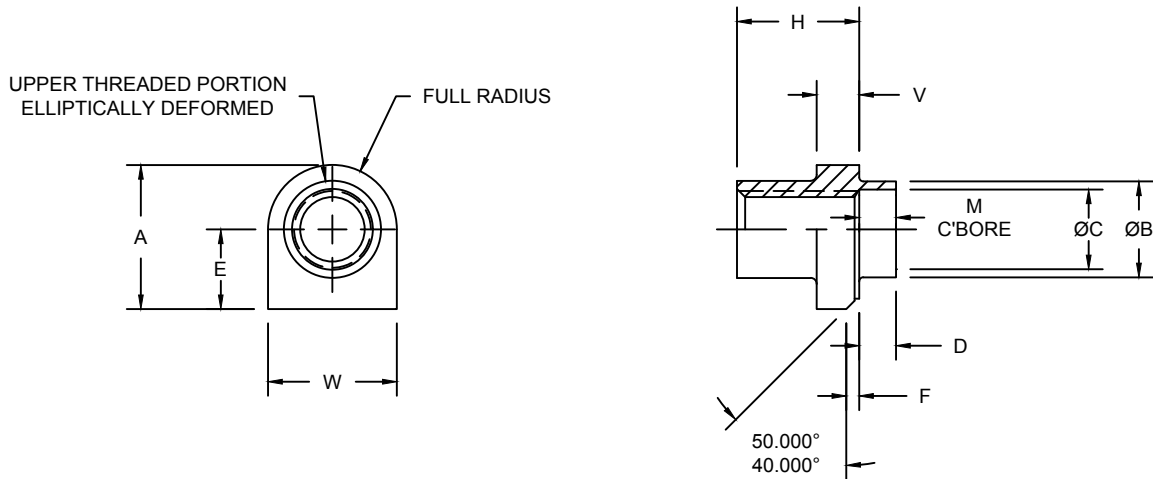




NUT, SELF-LOCKING, SHANK



NAFCO PART NUMBER	THREAD (AS8879)	A	B	C	D ±.003	E	F ±.005	H	M ±.015	V	W
NA2442-02-1	.1900-32 UNJF-3B	.359	.239	.200	.071	.200	.050	.262	.071	.110	.321
NA2442-02-2		.353	.235	.195	.091	.194	.032	.247	.091	.100	.315

MATERIAL: A286 CRES PER AMS5732 OR AMS5735.

FINISH: PASSIVATE PER AMS2700 PLUS KAYLUBE #3 OR MOLYBDENUM DISULFIDE DRY FILM LUBRICANT.

TEMP.: TO 850°F.

CODE: "C" FOLLOWING BASIC NUMBER INDICATES A286 CRES MATERIAL.
"M" FOLLOWING "C" CODE INDICATES DRI-FILM LUBRICANT.

- NOTES:**
- ALL DIMENSIONS IN INCHES AND APPLY AFTER FINISH AND PRIOR TO THE APPLICATION OF LUBRICATION UNLESS OTHERWISE SPECIFIED.
 - THREADS SHALL BE IN ACCORDANCE WITH AS8879. THE UPPER THREADED PORTION OF THE NUT SHALL BE DEFORMED TO PROVIDE SELF-LOCKING FEATURE.
 - PARTS SHALL BE MARKED WITH NAFCO USA, LLC MANUFACTURING MARK "N". MARKINGS SHALL BE RAISED OR DEPRESSED .010 INCH MAXIMUM. LOCATION OPTIONAL EXCEPT MUST BE ON TOP OR SIDE OF FLANGE.
 - SAMPLE FLOURESCENT PENETRANT INSPECT PER MIL-I-6866.

EXAMPLE CALLOUT:

NA2442 CM-02-1

————— COUNTERBORE DEPTH "M" AND SHANK LENGTH "D" FROM TABLE.
 ————— .1900-32 UNJF-3B THREAD PER AS8879 PRIOR TO SELF-LOCKING FEATURE AND LUBRICATION.
 ————— MATERIAL CODE AND FINISH CODE
 ————— BASIC NUMBER

CONFORMS TO:
NASM25027

AS8879

NAFCO USA, LLC

CARSON CITY, NV 89706

PART NUMBER

NA2442

FEDERAL SUPPLY CODE: 32387