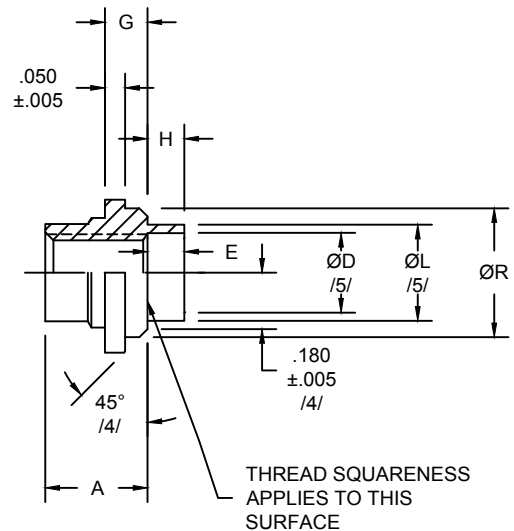
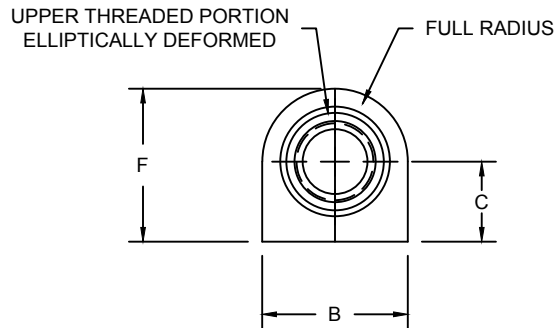




NUT, SELF-LOCKING, SHANK



NAFCO PART NUMBER	THREAD (AS8879)	A	B	C	D	E ±.005	F	G	H ±.005	L	R
NA2447-02-1	.1900-32 UNJF-3B	.262 .247	.365 .353	.200 .194	.200 .195	.051	.385 .371	.115 .095	.051	.239 .235	.323 .313
NA2447-02-2						.057			.057		
NA2447-02-3						.071			.071		
NA2447-02-4						.091			.091		
NA2447-02-5						.141			.141		
NA2447-02-6						.155			.155		
NA2447-02-7						.171			.171		
NA2447-048-1	.2500-28 UNJF-3B	.312 .297	.435 .423	.265 .259	.260 .255	.071	.483 .471	.115 .095	.071	.308 .304	.415 .405
NA2447-048-2						.091			.091		
NA2447-048-3						.141			.141		
NA2447-048-4						.155			.155		
NA2447-048-5						.171			.171		
NA2447-048-6						.234			.234		
NA2447-048-7						.296			.296		
NA2447-048-8						.365			.365		

MATERIAL: A286 CRES PER AMS5732 OR AMS5735.

FINISH: ENSALUBE 382 DRY FILM LUBRICANT.

CODE: "C" FOLLOWING BASIC NUMBER INDICATES A286 CRES MATERIAL.

"E" FOLLOWING "C" CODE INDICATES DRY FILM LUBRICANT.

- NOTES:**
- ALL DIMENSIONS IN INCHES AND APPLY AFTER FINISH AND PRIOR TO THE APPLICATION OF LUBRICATION UNLESS OTHERWISE SPECIFIED.
 - THREADS SHALL BE IN ACCORDANCE WITH AS8879. THE UPPER THREADED PORTION OF THE NUT SHALL BE DEFORMED TO PROVIDE SELF-LOCKING FEATURE. LOCKING DEVICE DEVELOPS ROOM TEMP LOCKING TORQUE PER AS25027 EXCEPT FIVE REUSES ONLY WHEN USED OF FULL PD BOLTS.
 - PARTS SHALL BE MARKED WITH NAFCO USA, LLC MANUFACTURING MARK "N". MARKINGS SHALL BE RAISED OR DEPRESSED .010 INCH MAXIMUM. LOCATION OPTIONAL EXCEPT MUST BE ON TOP OR SIDE OF FLANGE.
 - 45° CUT AND .180 ±.005 DIMENSION ONLY APPLIES TO NUTS WITH .2500-28 UNJF-3B THREAD.
 - SHANK ID AND OD CONCENTRIC WITH THREAD WITHIN .005 T.I.R.

EXAMPLE CALLOUT:

NA2447 CE -048 -1

COUNTERBORE DEPTH "E" AND SHANK LENGTH "H" FROM TABLE.

.2500-28 UNJF-3B THREAD PER AS8879 PRIOR TO SELF-LOCKING FEATURE AND LUBRICATION.

MATERIAL CODE AND FINISH CODE

BASIC NUMBER

CONFORMS TO:
NASM25027

AS8879

NAFCO USA, LLC

CARSON CITY, NV 89706

PART NUMBER

NA2447

FEDERAL SUPPLY CODE: 32387