



NUT, SELF-LOCKING, PLATE, TWO LUG, 160 KSI Ft_u, 450°F & 800°F

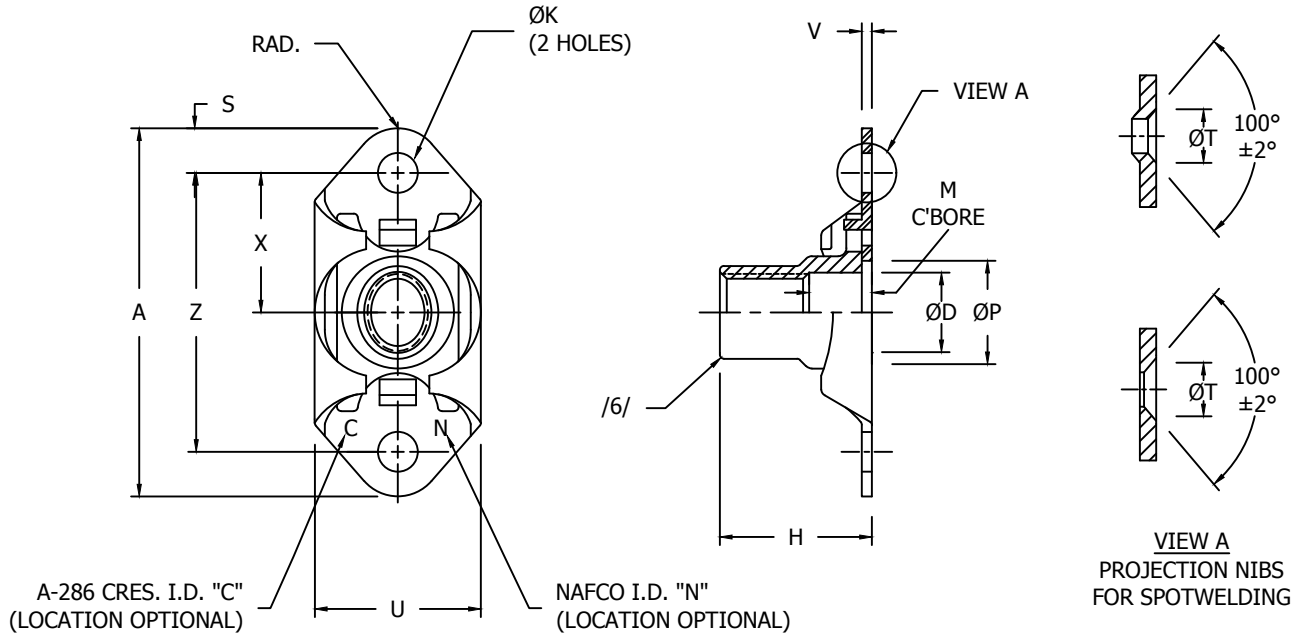


TABLE I - DIMENSIONS AND DASH NUMBERS

④

DASH NUMBER	THREAD /7/ (AS8879)	A MAX	(ØB)	ØD MIN	H MAX /1/	ØK +.005 -0.000	M MIN	S MIN	ØT ±.010	U MAX	V MAX	X ±.005	Z ±.002	WEIGHT APPROX LB/100	AXIAL STRENGTH LBF. MIN.
08-2	.1640-32 UNJC-3B	.948	.250	.168	.312	.098	.125	.100	.200	.416	.032	.344	.688	.40	1,720
08-3					.375		.188							.47	
08-4					.438		.250							.51	
08-5					.500		.312							.54	
08-6					.562		.375							.60	
3-2	.1900-32 UNJF-3B	.948	.250	.194	.312	.098	.125	.100	.200	.416	.032	.344	.688	.40	2,460
3-3					.375		.188							.48	
3-4					.438		.250							.50	
3-5					.500		.312							.55	
3-6					.562		.375							.60	
4-2	.2500-28 UNJF-3B	1.292	.312	.254	.344	.098	.125	.100	.200	.516	.032	.500	1.000	.75	4,580
4-3					.406		.188							.80	
4-4					.469		.250							.90	
4-5					.531		.312							1.00	
4-6					.594		.375							1.10	
5-2	.3125-24 UNJF-3B	1.292	.375	.317	.391	.130	.125	.125	.230	.609	.045	.500	1.000	1.15	7,390
5-3					.453		.188							1.20	
5-4					.516		.250							1.40	
5-5					.578		.312							1.45	
5-6					.641		.375							1.50	

CONFORMS TO:
NASM25027
AS8879

NAFCO USA, LLC

CARSON CITY, NV 89706

PART NUMBER

NA2466

FEDERAL SUPPLY CODE: 32387