



**STRESSNUT, FLOATING, EXPANDING, SAE
REPLACABLE NUT ELEMENT, VARIABLE
COUNTERBORE, STRESS RELIEVING FASTENER**

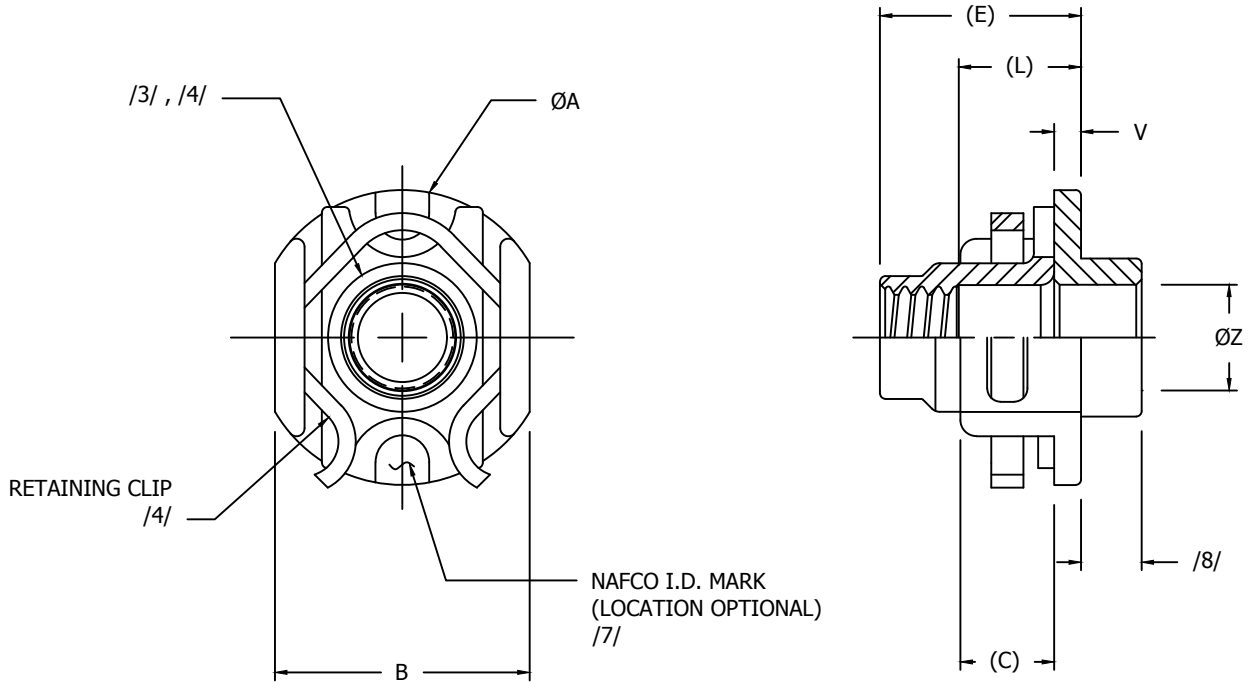


TABLE I - DIMENSIONS AND DASH NUMBERS

NAFCO PART NUMBER /10/	THREAD (AS8879)	INSTALLATION HOLE SIZE				ØA MAX.	B MAX.	(C)	(E) MAX.	(L) MIN.	V ±.005	ØZ MIN. /2/
		NOMINAL		OVERSIZE								
		MIN.	MAX.	MIN.	MAX.							
NA2397-032-T-II-1-()	.1900-32 UNJF-3B	.2969	.2984	.3125	.3140	.590	.490	.200	.260	.070	.050	.1935
NA2397-032-T-II-2-()									.325	.125		
NA2397-032-T-II-3-()									.385	.188		
NA2397-032-T-II-4-()									.450	.250		
NA2397-032-T-II-5-()									.510	.313		
NA2397-032-T-II-6-()									.575	.375		
NA2397-048-T-II-1-()	.2500-28 UNJF-3B	.3438	.3453	.3594	.3609	.705	.595	.200	.305	.070	.050	.2535
NA2397-048-T-II-2-()									.370	.125		
NA2397-048-T-II-3-()									.430	.188		
NA2397-048-T-II-4-()									.495	.250		
NA2397-048-T-II-5-()									.560	.313		
NA2397-048-T-II-6-()									.615	.375		
NA2397-054-T-II-1-()	.3125-24 UNJF-3B	.4063	.4083	.4219	.4239	.905	.685	.250	.350	.070	.050	.3160
NA2397-054-T-II-2-()									.405	.125		
NA2397-054-T-II-3-()									.465	.188		
NA2397-054-T-II-4-()									.530	.250		
NA2397-054-T-II-5-()									.590	.313		
NA2397-054-T-II-6-()									.650	.375		
NA2397-064-T-II-1-()	.3750-24 UNJF-3B	.4688	.4708	.4844	.4864	1.025	.870	.250	.380	.070	.050	.3785
NA2397-064-T-II-2-()									.430	.125		
NA2397-064-T-II-3-()									.495	.188		
NA2397-064-T-II-4-()									.560	.250		
NA2397-064-T-II-5-()									.635	.313		
NA2397-064-T-II-6-()									.690	.375		
NA2397-080-T-II-1-()	.5000-20 UNJF-3B	.5938	.5958	.6094	.6114	1.250	1.000	.250	.560	.070	.065	.5035

CONFORMS TO:
NASM25027

NAFCO USA, LLC
CARSON CITY, NV 89706

PART NUMBER
NA2397
FEDERAL SUPPLY CODE: 32387