

JIFFYNUT, MINIATURE, SELF-LOCKING AND NON-LOCKING

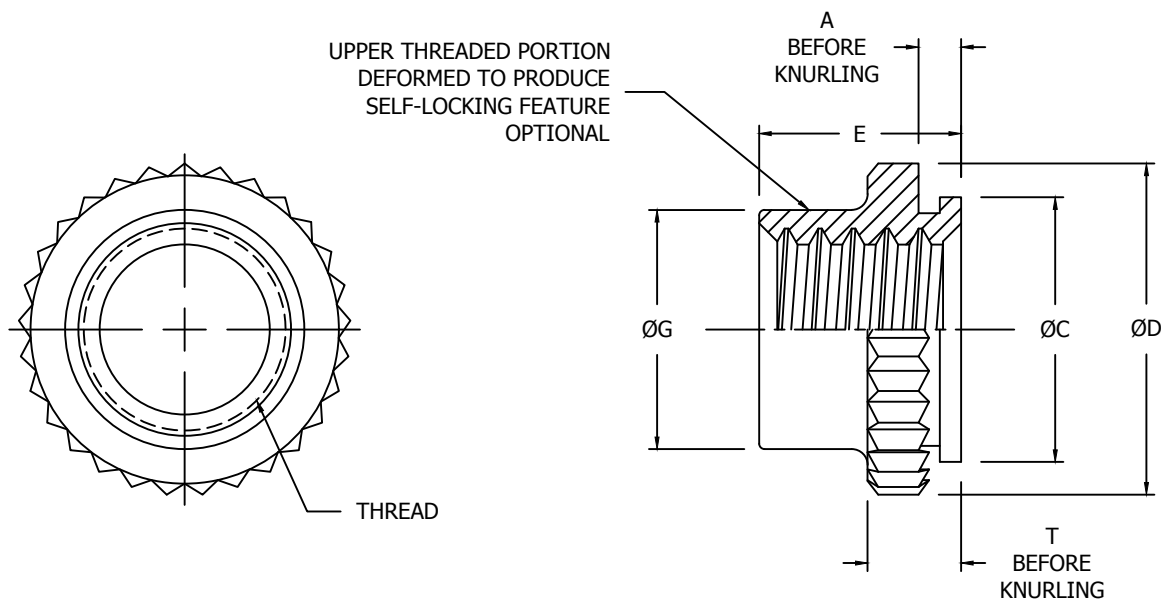


TABLE I - PART DIMENSIONS AND DASH NUMBERS

DASH NUMBER		THREAD CLASS 3B AS8879	A ±.004	SHEET THKNS MIN	HOLE SIZE IN SHEET +.004 -.001	ØC +.001 -.004	ØD ±.015	E ±.015	ØG ±.005	T ±.005	CENTER OF HOLE TO SHEET EDGE MIN /5/
ALLOY STEEL (450°F)	CRES 303 (450°F)										
-26	S-26	.0860-56 UNJC	.030	.040	.201	.199	.260	.178	.125	.078	.188
-40	S-40	.1120-40 UNJC	.030	.040	.201	.199	.260	.178	.160	.078	.203
-62	S-62	.1380-32 UNJC	.030	.040	.228	.226	.290	.178	.175	.078	.250
-82	S-82	.1640-32 UNJC	.040	.050	.281	.279	.350	.188	.215	.088	.281
-02	S-02	.1900-32 UNJF	.040	.050	.281	.279	.350	.188	.240	.088	.281
-048	S-048	.2500-28 UNJF	.050	.060	.375	.373	.450	.250	.313	.115	.375
-054	S-054	.3125-24 UNJF	.063	.080	.406	.404	.490	.312	.386	.141	.406
-064	S-064	.3750-24 UNJF	.094	.125	.500	.498	.560	.375	.448	.188	.500
-04	S-04	.1900-24 UNJC	.040	.050	.281	.279	.350	.188	.240	.088	.281
-040	S-040	.2500-20 UNJC	.050	.060	.375	.373	.450	.250	.313	.115	.375
-058	S-058	.3125-18 UNJC	.063	.080	.406	.404	.490	.312	.386	.141	.406
-066	S-066	.3750-16 UNJC	.094	.125	.500	.498	.560	.375	.448	.188	.500

CONFORMS TO:
NASM25027
AS8879

NAFCO USA, LLC

CARSON CITY, NV 89706

PART NUMBER

NA2216

FSC/CAGE CODE: 32387