



RETAINER, NUT - RIVETLESS, CLASS III FIT

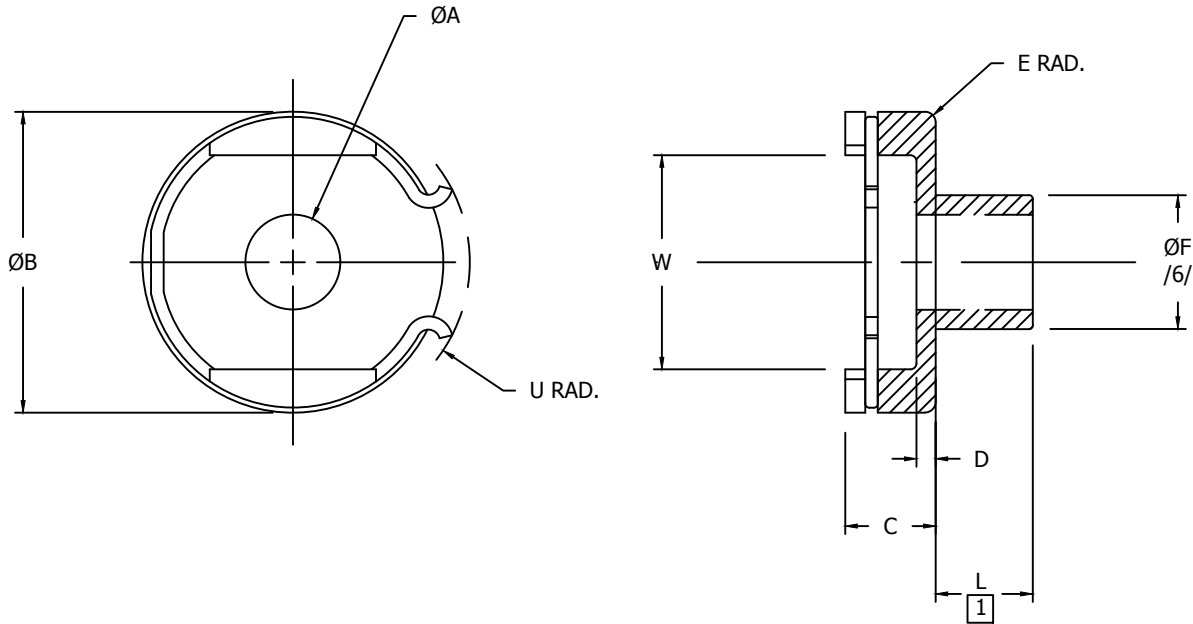


TABLE I - DIMENSIONS AND PART NUMBERS

NAFCO PART NUMBER	NOM DIA	ØA ±.0007	ØB MAX	C MAX	D ±.005	E RAD. MIN	ØF TOLERANCE Δ		U RAD. MAX	W ±.005	MIN AVAILABLE \square		
							WITH PLATING OR COATING	WITHOUT PLATING OR COATING			CRES	TI	
NA2473-3	3/16	.2152	.518	.187	.055	.027	.3112	$^{+.0007}_{-.0011}$.3112 ±.0007	.329	.360	.090	.060
NA2473-4	1/4	.2760	.640	.199	.055	.027	.3737	$^{+.0007}_{-.0011}$.3737 ±.0007	.418	.460	.130	.080
NA2473-5	5/16	.3389	.750	.212	.060	.035	.4357	$^{+.0007}_{-.0011}$.4357 ±.0007	.473	.540	.160	TBD
NA2473-6	3/8	.4004	.861	.222	.060	.045	.4982	$^{+.0007}_{-.0011}$.4982 ±.0007	.528	.620	.290	TBD

TABLE II

APPROX. WEIGHT = $Wt + (Wb \times L)$

NAFCO PART NUMBER	NOM DIA	17-4PH CRES		TITANIUM	
		Wt (lb)	Wb (lb/in)	Wt (lb)	Wb (lb/in)
NA2473-3	3/16	.427	1.12	.242	.63
NA2473-4	1/4	.736	1.40	.417	.80
NA2473-5	5/16	1.062	1.67	.603	.95
NA2473-6	3/8	1.428	1.95	.810	1.11

TABLE III - OVERSIZE DIMENSIONS

NAFCO PART NUMBER	NOM DIA	ØF TOLERANCE Δ	
		WITH PLATING OR COATING	WITHOUT PLATING OR COATING
NA2473-3X	3/16	$^{+.0007}_{-.0011}$.3268 ±.0007
NA2473-4X	1/4	$^{+.0007}_{-.0011}$.3893 ±.0007
NA2473-5X	5/16	$^{+.0007}_{-.0011}$.4513 ±.0007
NA2473-6X	3/8	$^{+.0007}_{-.0011}$.5138 ±.0007

CONFORMS TO:
NASM25027
AS8879

NAFCO USA, LLC
CARSON CITY, NV 89706

PART NUMBER
NA2473
FEDERAL SUPPLY CODE: 32387