



RETAINER, NUT - RIVETLESS, CLASS III FIT

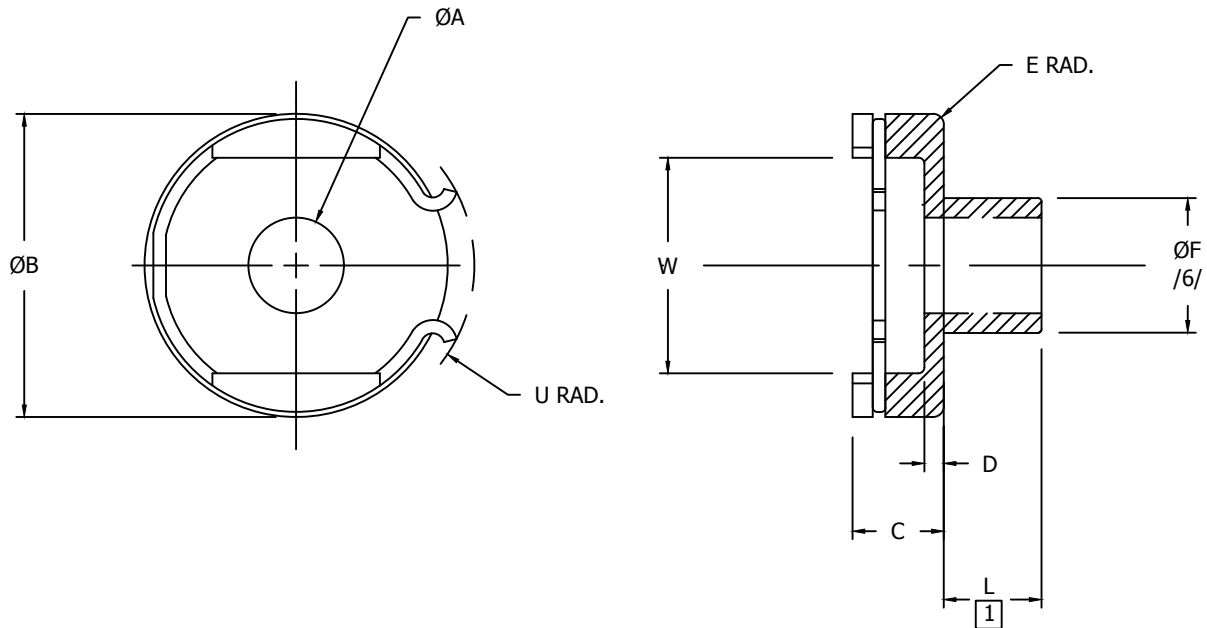


TABLE I - DIMENSIONS AND PART NUMBERS

| NAFCO PART NUMBER | NOM DIA | ØA | ØB MAX | C MAX | D ±.005 | E RAD. MIN | ØF TOLERANCE Δ | | U RAD. MAX | W ±.005 | MIN AVAILABLE \square | |
|-------------------|---------|--------------|--------|-------|---------|------------|--|----------------------------|------------|---------|-------------------------|------|
| | | | | | | | WITH PLATING OR COATING | WITHOUT PLATING OR COATING | | | CRES | TI |
| NA2474-3 | 3/16 | .1710 ±.0005 | .518 | .187 | .055 | .027 | .2959 $\begin{smallmatrix} +.0007 \\ -.0011 \end{smallmatrix}$ | .2959 ±.0007 | .329 | .360 | .090 | .130 |
| NA2474-4 | 1/4 | .2306 ±.0007 | .640 | .199 | .055 | .027 | .3425 $\begin{smallmatrix} +.0007 \\ -.0011 \end{smallmatrix}$ | .3425 ±.0007 | .418 | .460 | .130 | .090 |
| NA2474-5 | 5/16 | .2923 ±.0007 | .750 | .212 | .060 | .035 | .4045 $\begin{smallmatrix} +.0007 \\ -.0011 \end{smallmatrix}$ | .4045 ±.0007 | .473 | .540 | .160 | .150 |
| NA2474-6 | 3/8 | .3548 ±.0007 | .861 | .222 | .060 | .045 | .4670 $\begin{smallmatrix} +.0007 \\ -.0011 \end{smallmatrix}$ | .4670 ±.0007 | .528 | .620 | .290 | .140 |

TABLE II

| APPROX. WEIGHT = Wt + (Wb x L) | | | | | |
|--------------------------------|---------|-------------|------------|----------|------------|
| NAFCO PART NUMBER | NOM DIA | 17-4PH CRES | | TITANIUM | |
| | | Wt (lb) | Wb (lb/in) | Wt (lb) | Wb (lb/in) |
| NA2474-3 | 3/16 | .427 | 1.15 | .242 | .65 |
| NA2474-4 | 1/4 | .736 | 1.24 | .417 | .70 |
| NA2474-5 | 5/16 | 1.062 | 1.50 | .603 | .85 |
| NA2474-6 | 3/8 | 1.428 | 1.78 | .810 | 1.01 |

TABLE III - OVERSIZE DIMENSIONS

| NAFCO PART NUMBER | NOM DIA | ØF TOLERANCE Δ | |
|-------------------|---------|--|----------------------------|
| | | WITH PLATING OR COATING | WITHOUT PLATING OR COATING |
| NA2474-3X | 3/16 | .3115 $\begin{smallmatrix} +.0007 \\ -.0011 \end{smallmatrix}$ | .3115 ±.0007 |
| NA2474-4X | 1/4 | .3581 $\begin{smallmatrix} +.0007 \\ -.0011 \end{smallmatrix}$ | .3581 ±.0007 |
| NA2474-5X | 5/16 | .4201 $\begin{smallmatrix} +.0007 \\ -.0011 \end{smallmatrix}$ | .4201 ±.0007 |
| NA2474-6X | 3/8 | .4826 $\begin{smallmatrix} +.0007 \\ -.0011 \end{smallmatrix}$ | .4826 ±.0007 |

CONFORMS TO:
NASM25027
AS8879

NAFCO USA, LLC
CARSON CITY, NV 89706

PART NUMBER
NA2474
FEDERAL SUPPLY CODE: 32387