

RETAINER, NUT - RIVETLESS, CLASS I FIT

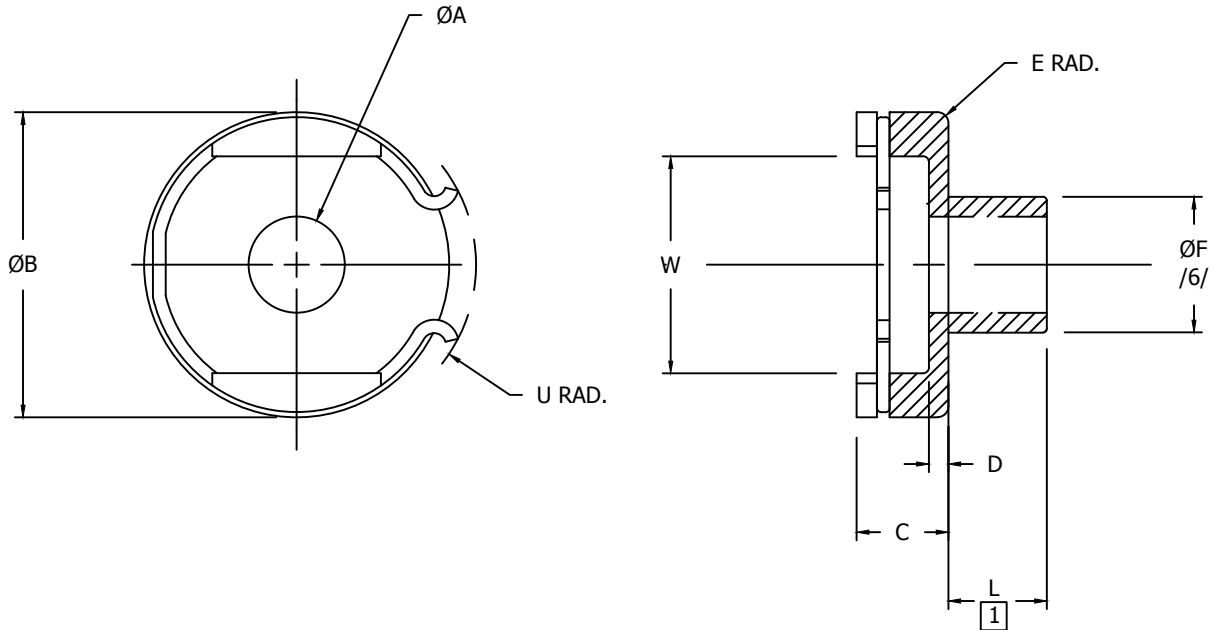


TABLE I - DIMENSIONS AND PART NUMBERS

NAFCO PART NUMBER	NOM DIA	ØA	ØB MAX	C MAX	D ±.005	E RAD. MIN	ØF TOLERANCE Δ		U RAD. MAX	W ±.005	MIN AVAILABLE \square	
							WITH PLATING OR COATING	WITHOUT PLATING OR COATING			CRES	TI
NA2474-3	3/16	.1710 ±.0005	.518	.187	.055	.027	.2959 $\begin{smallmatrix} +.0007 \\ -.0011 \end{smallmatrix}$.2959 ±.0007	.329	.360	.090	.130
NA2474-4	1/4	.2306 ±.0007	.640	.199	.055	.027	.3425 $\begin{smallmatrix} +.0007 \\ -.0011 \end{smallmatrix}$.3425 ±.0007	.418	.460	.130	.090
NA2474-5	5/16	.2923 ±.0007	.750	.212	.060	.035	.4045 $\begin{smallmatrix} +.0007 \\ -.0011 \end{smallmatrix}$.4045 ±.0007	.473	.540	.160	.150
NA2474-6	3/8	.3548 ±.0007	.861	.222	.060	.045	.4670 $\begin{smallmatrix} +.0007 \\ -.0011 \end{smallmatrix}$.4670 ±.0007	.528	.620	.290	.140

TABLE II

APPROX. WEIGHT = Wt + (Wb x L)					
NAFCO PART NUMBER	NOM DIA	17-4PH CRES		TITANIUM	
		Wt (lb)	Wb (lb/in)	Wt (lb)	Wb (lb/in)
NA2474-3	3/16	.427	1.15	.242	.65
NA2474-4	1/4	.736	1.24	.417	.70
NA2474-5	5/16	1.062	1.50	.603	.85
NA2474-6	3/8	1.428	1.78	.810	1.01

TABLE III - OVERSIZE DIMENSIONS

NAFCO PART NUMBER	NOM DIA	ØF TOLERANCE Δ	
		WITH PLATING OR COATING	WITHOUT PLATING OR COATING
NA2474-3X	3/16	.3115 $\begin{smallmatrix} +.0007 \\ -.0011 \end{smallmatrix}$.3115 ±.0007
NA2474-4X	1/4	.3581 $\begin{smallmatrix} +.0007 \\ -.0011 \end{smallmatrix}$.3581 ±.0007
NA2474-5X	5/16	.4201 $\begin{smallmatrix} +.0007 \\ -.0011 \end{smallmatrix}$.4201 ±.0007
NA2474-6X	3/8	.4826 $\begin{smallmatrix} +.0007 \\ -.0011 \end{smallmatrix}$.4826 ±.0007

CONFORMS TO:
NASM25027
AS8879

NAFCO USA, LLC
CARSON CITY, NV 89706

PART NUMBER
NA2474
FEDERAL SUPPLY CODE: 32387