



RETAINER, NUT - RIVETLESS, COMPOSITE APPLICATION

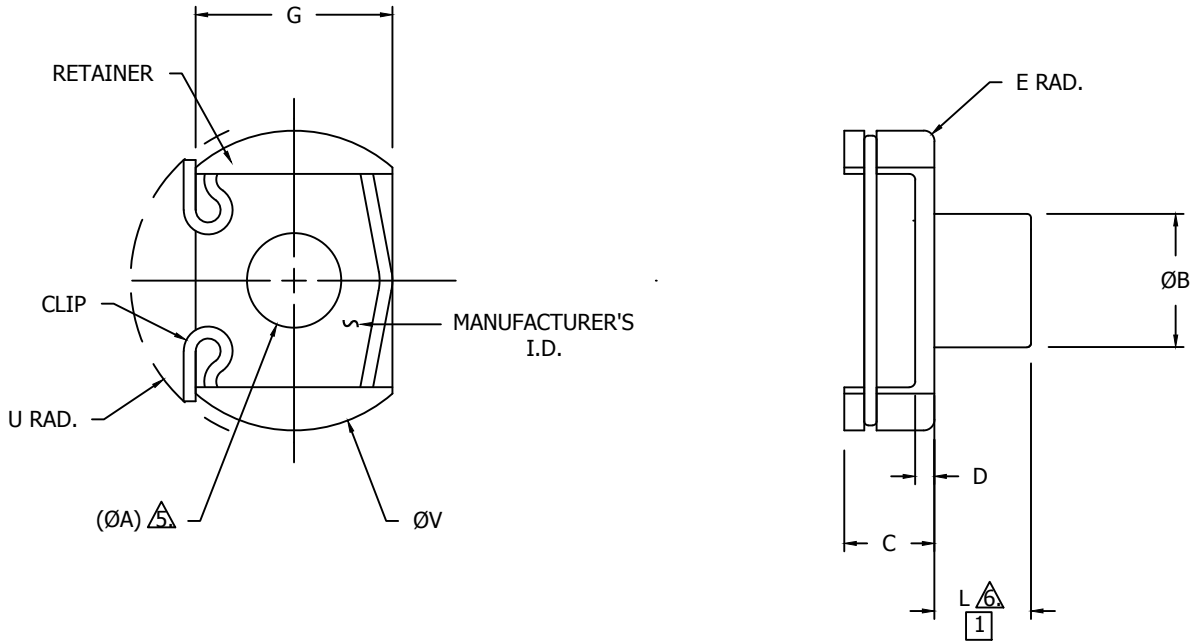


FIGURE 1

TABLE I - DIMENSIONS AND PART NUMBERS

NAFCO PART NUMBER	NOM DIA	CLASS FIT	(ØA)	ØB MAX	C MAX	D ±.005	E RAD. MIN	G MAX	L MIN	U RAD. MAX	ØV MAX
NA2480-3	3/16	I	.190 / .194	.310	.210	.055	.020	.460	GRIP - .010	.330	.580
		II	.193 / .197	.314							
		III	.218 / .229	.344							
NA2480-4	1/4	I	.250 / .254	.360	.220	.055	.020	.510	GRIP - .010	.420	.640
		II	.253 / .257	.364							
		III	.279 / .291	.394							

CONFORMS TO:
NASM25027
AS8879

NAFCO USA, LLC
CARSON CITY, NV 89706

PART NUMBER
NA2480
FEDERAL SUPPLY CODE: 32387