

# JIFFYNUT, MINIATURE, SELF-LOCKING AND NON-LOCKING

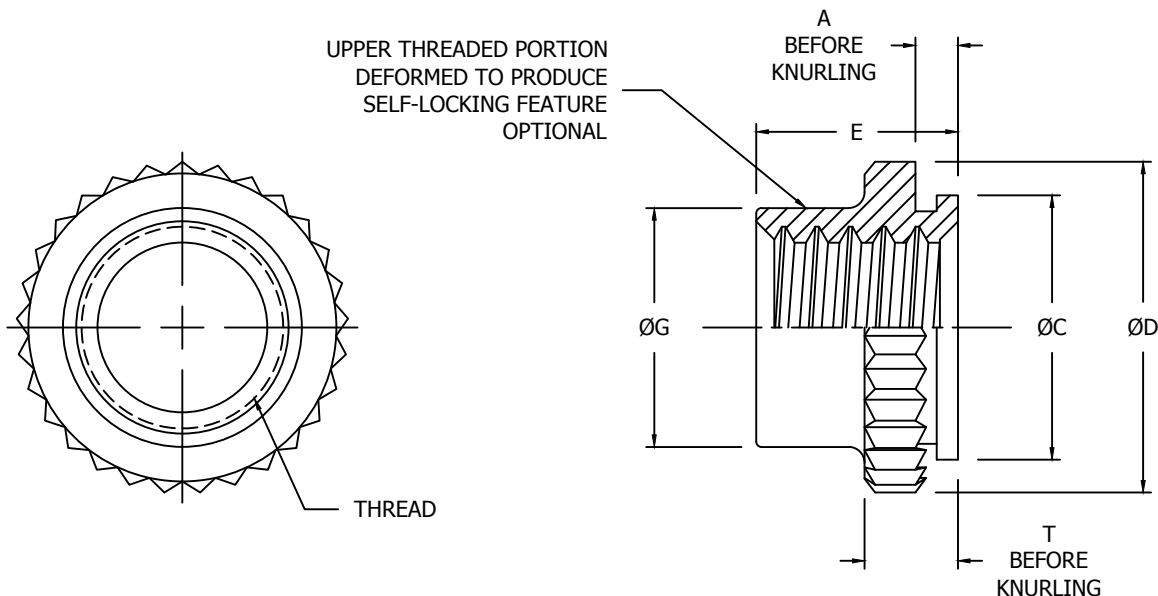


TABLE I - PART DIMENSIONS AND DASH NUMBERS

DASH NUMBER		THREAD CLASS 3B AS8879	A ±.004	SHEET THKNS MIN	HOLE SIZE IN SHEET +.004 -.001	ØC +.001 -.004	ØD ±.015	E ±.015	ØG ±.005	T ±.005	CENTER OF HOLE TO SHEET EDGE MIN /5/
ALLOY STEEL (450°F)	CRES A286 (600°F)										
2	2C	.0860-56 UNJC	.030	.040	.125	.123	.190	.140	.106	.078	.188
4	4C	.1120-40 UNJC	.030	.040	.156	.154	.220	.160	.135	.078	.203
6	6C	.1380-32 UNJC	.030	.040	.188	.186	.250	.178	.161	.078	.250
8	8C	.1640-32 UNJC	.040	.050	.219	.217	.280	.188	.200	.088	.281

TABLE II - PUSH-OUT AND TORQUE-OUT VALUES

SIZE	APPROX. INSTALL FORCE LBF	PUSH-OUT LBF MIN.	TORQUE-OUT LBF-IN MIN.
.0860	2,200	80	10
.1120	2,400	120	20
.1380	2,600	160	30
.1640	3,400	240	45

CONFORMS TO:  
NASM25027  
AS8879

**NAFCO USA, LLC**  
CARSON CITY, NV 89706

PART NUMBER  
**NA2158**  
FEDERAL SUPPLY CODE: 32387