

COLLAR, SELF-LOCKING, TENSION APPLICATION, FOR USE ON 1/32 OVERSIZE PINS

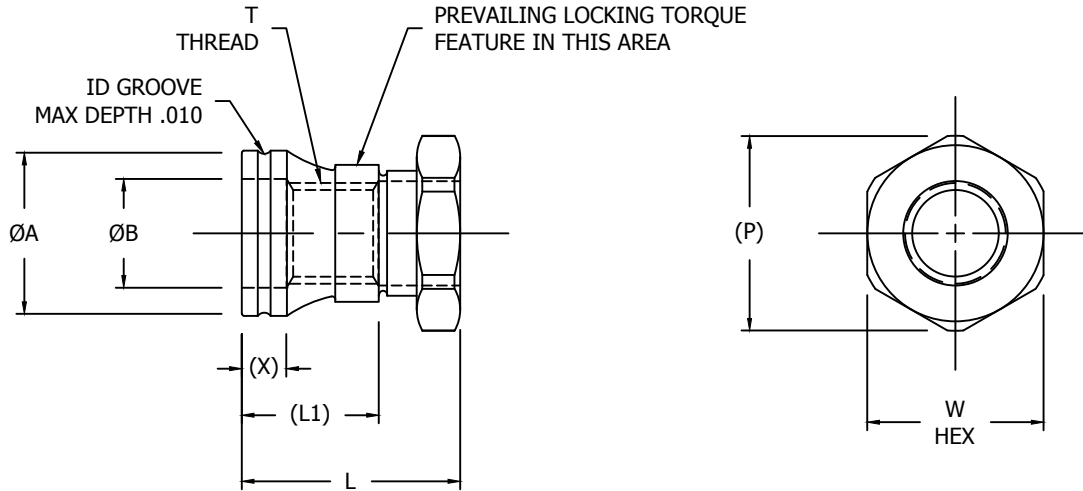


TABLE I - DIMENSIONS AND DASH NUMBERS

NAFCO PART NUMBER	PIN NOMINAL DIAMETER	THREAD T (AS8879)	ØA	ØB	L	(L1)	(P)	W	(X)	ULTIMATE TENSILE STRENGTH LBS. MIN	TORQUE OFF INCH-LBS.
NA2478C-02	7/32	.1900-32 UNJF-3B	.332 .328	.227 .223	.470 .450	.290	.380	.346 .332	.122	2,750	35-45
NA2478C-048	9/32	.2500-28 UNJF-3B	.427 .423	.290 .286	.565 .545	.355	.484	.440 .425	.127	5,000	100-120
NA2478C-054	11/32	.3125-24 UNJF-3B	.560 .554	.356 .350	.685 .665	.445	.624	.565 .550	.137	8,300	180-220
NA2478C-064	13/32	.3750-24 UNJF-3B	.683 .675	.419 .413	.755 .735	.485	.763	.690 .675	.137	12,700	330-380

MATERIAL: COLLAR -- A286 CRES (UNS S66286) PER AMS5731 OR AMS5734.

FINISH: COLLAR -- "C" CODE - A286 CRES, PASSIVATE PER AMS2700. NO OTHER FINISH OR LUBRICATION IS PERMISSIBLE.
"CS" CODE - A286 CRES, SILVER PLATE PER AMS2410. NO OTHER FINISH OR LUBRICATION IS PERMISSIBLE.

SERVICE TEMP.: 800 °F.

PERFORMANCE: NASM25027 EXCEPT FOR TENSILE STRENGTH CALLED OUT IN THIS SPECIFICATION AND TORQUE REUSABILITY ONLY REQUIRES ONE PASS. TESTING OF PASSIVATED COLLARS TO BE PERFORMED USING KRYTOX 240AC LUBRICANT.

CONFORMS TO:
NASM25027
EXCEPT AS NOTED

NAFCO USA, LLC
CARSON CITY, NV 89706

PART NUMBER
NA2478
FEDERAL SUPPLY CODE: 32387