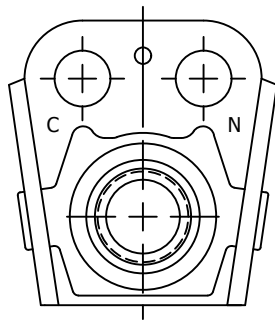
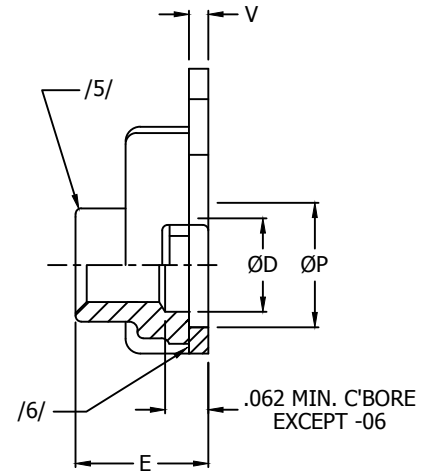
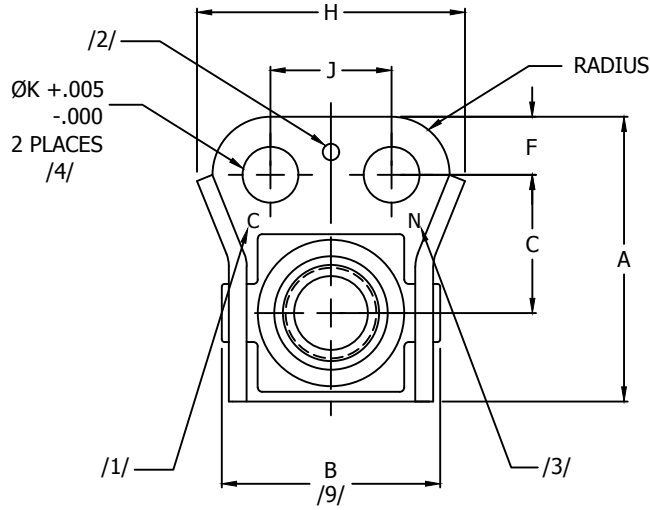
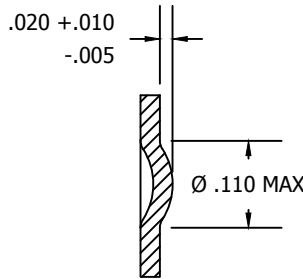




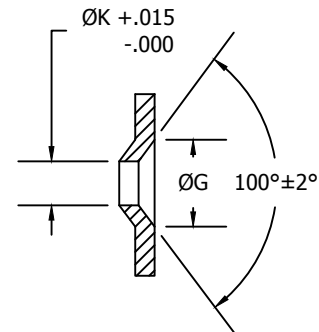
**NUT, SELF-LOCKING, PLATE, FLOATING
LOW HEIGHT, REDUCED RIVET SPACING,
C'BORED, 160 KSI, 450°F, 800°F**



ALTERNATE CONFIGURATION



PROJECTION NIBS FOR SPOT WELDING



DIMPLED RIVET HOLES WHEN SPECIFIED

TABLE I - DIMENSIONS AND DASH NUMBERS

NAFCO PART NUMBER				T THREAD /11/ (AS8879)	A MAX	B +.000 -.050 /9/	C	ØD MIN	E MAX /10/	F MIN	ØG ±.010	H MAX	J ±.002	ØK +.005 -.000	P MAX	V MAX	AXIAL TENSILE STRENGTH LBS
STEEL		CRES															
CAD+ MoS ₂ 450°F	CAD W/O MoS ₂ 450°F	SILVER PLATE 800°F	MoS ₂ 450°F														
NA2390-62	NA2390X62	NA2390C62	NA2390C62M	.1380-32 UNJC-3B	.525	.440	.250	---	.203	.100	.200	.490	.219	.098	.232	.035	1,600
NA2390-82	NA2390X82	NA2390C82	NA2390C82M	.1640-32 UNJC-3B	.525	.440	.250	.168	.250	.100	.200	.490	.219	.098	.232	.035	2,500
NA2390-02	NA2390X02	NA2390C02	NA2390C02M	.1900-32 UNJF-3B	.525	.440	.250	.194	.250	.100	.200	.490	.219	.098	.232	.035	3,620
NA2390-048	NA2390X048	NA2390C048	NA2390C048M	.2500-28 UNJF-3B	.617	.557	.281	.254	.281	.100	.200	.502	.219	.098	.300	.035	6,470
NA2390-054	NA2390X054	NA2390C054	NA2390C054M	.3125-24 UNJF-3B	.767	.619	.359	.317	.328	.125	.230	.609	.269	.130	.357	.045	10,200
NA2390-064	NA2390X064	NA2390C064	NA2390C064M	.3750-24 UNJF-3B	.876	.682	.414	.379	.344	.125	.230	.629	.269	.130	.420	.055	15,200

CONFORMS TO:
NASM25027
AS8879

NAFCO USA, LLC
CARSON CITY, NV 89706

PART NUMBER
NA2390

FSCM / CAGE CODE: 32387