

# NUT, PLATE, SELF-LOCKING, FLOATING, TWO LUG

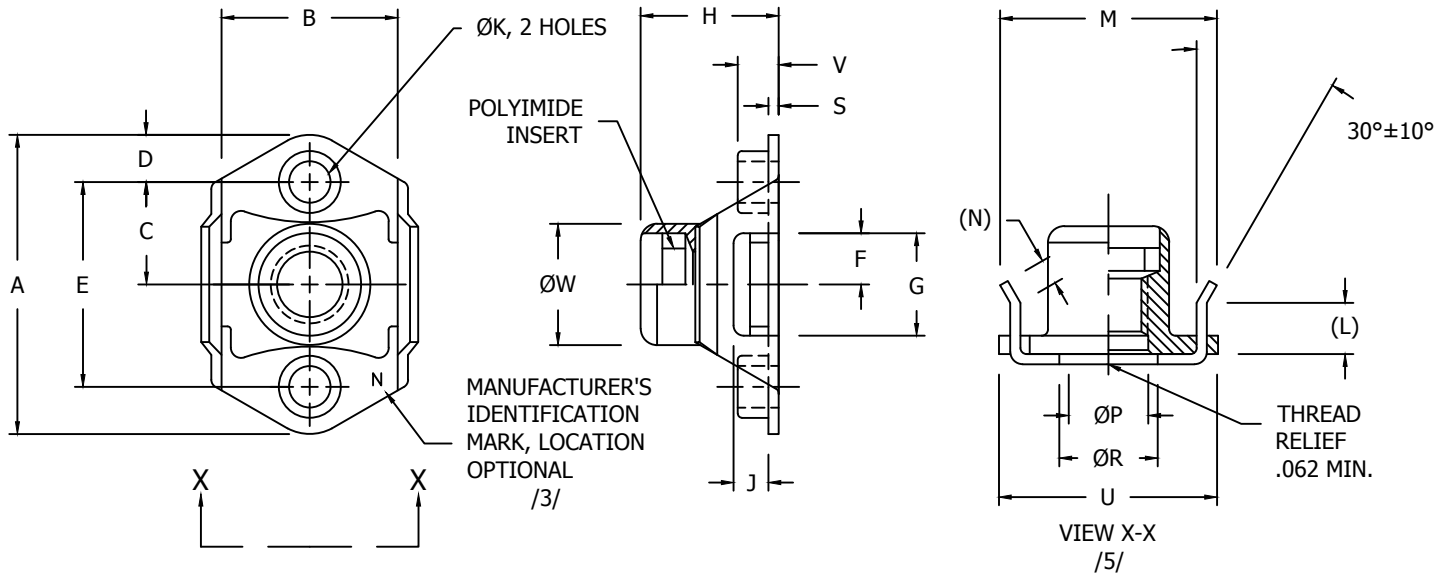


TABLE I - DIMENSIONS AND DASH NUMBERS

NAFCO PART NUMBER	THREAD (AS8879) /2/	A MAX	B ±.005	C ±.005	D MIN	E ±.002	F ±.010	G ±.010	H MAX /4/	J +.000 - .015	ØK +.005 - .000	(L) .125	M MAX	(N) .062	ØP MIN	ØR MAX
NA2355-02	.1900-32 UNJF-3B	.739	.430	.250	.100	.500	.125	.250	.370	.093	.098	.125	.550	.062	.194	.250
NA2355-048	.2500-28 UNJF-3B	.801	.488	.281	.100	.562	.140	.280	.457	.103	.098	.140	.630	.070	.254	.310
NA2355-054	.3125-24 UNJF-3B	1.010	.560	.359	.117	.718	.155	.310	.540	.113	.130	.155	.730	.075	.317	.373

NAFCO PART NUMBER	S ±.006	U +.000 - .006	V		ØW MAX	"X" /5/	AXIAL TENSILE STRENGTH LBF MIN	SEATING TORQUE LBF-IN	PUSH-OUT LBF MIN	TORQUE OUT LBF-IN MIN	WEIGHT LBS/100
			MAX	MIN							
NA2355-02	.030	.540	.125	.075	.370	.005	3,620	40	200	90	.75
NA2355-048	.030	.600	.140	.090	.440	.006	6,470	70	250	150	1.25
NA2355-054	.040	.678	.160	.110	.500	.007	10,200	140	250	250	1.90

**MATERIAL:**

NUT ELEMENT:  
 CARBON STEEL (UNS G10350) PER AISI C1035, (UNS G10420) PER AISI C1042, (UNS G10500) PER AISI C1050, (UNS G11374) PER AISI C11L37.  
 ALLOY STEEL (UNS G87400) PER AMS6322, (UNS G43400) PER AMS6415, (UNS K14675) PER AMS6304.

BASKET:  
 CARBON STEEL (UNS G10350) PER AISI C1035, (UNS G10500) PER AISI C1050.

INSERT:  
 POLYIMIDE PER ASTM PS93, TYPE I.

**FINISH:**

CADMIUM PLATE IN ACCORDANCE WITH AMS-QQ-P-416, TYPE II, CLASS 2.  
 NUT ELEMENT - DRY FILM LUBRICANT (SUPPLEMENTARY LUBRICANT OPTIONAL).

**NOTES:**

- ALL DIMENSIONS IN INCHES AND APPLY AFTER FINISH AND PRIOR TO THE APPLICATION OF LUBRICATION UNLES OTHERWISE SPECIFIED.
- THREADS SHALL BE IN ACCORDANCE WITH AS8879 BEFORE LUBRICATION.
- PARTS SHALL BE MARKED WITH NAFCO USA, LLC MANUFACTURING MARK "N". MARKINGS SHALL BE RAISED OR DEPRESSED .010 INCH MAXIMUM. LOCATION OPTIONAL.
- MINIMUM "H" NOT SPECIFIED. LIMITED ONLY BY STRENGTH REQUIREMENTS. BOLT THREAD ENGAGEMENT SHALL BE CHECKED FOR PROPER PROTRUSION.
- BEARING SURFACE OF NUT ELEMENT AND PITCH DIAMETER OF THREAD SHALL RUN TRUE TO EACH OTHER WITHIN "X" WHEN MEASURED IN ACCORDANCE WITH NASM8985.

**EXAMPLE CALLOUT:**

**NA2355-048**

.2500-28 UNJF-3B THREAD PER AS8879.

BASIC NUMBER

CONFORMS TO:  
 NASM25027  
 AS8879

**NAFCO USA, LLC**  
 CARSON CITY, NV 89706

PART NUMBER  
**NA2355**  
 FSCM / CAGE CODE: 32387