



NUTPLATE, RIVETLESS, TI AND STAINLESS STEEL RETAINER, SEALED HEAD, CLASS I, FLOATING

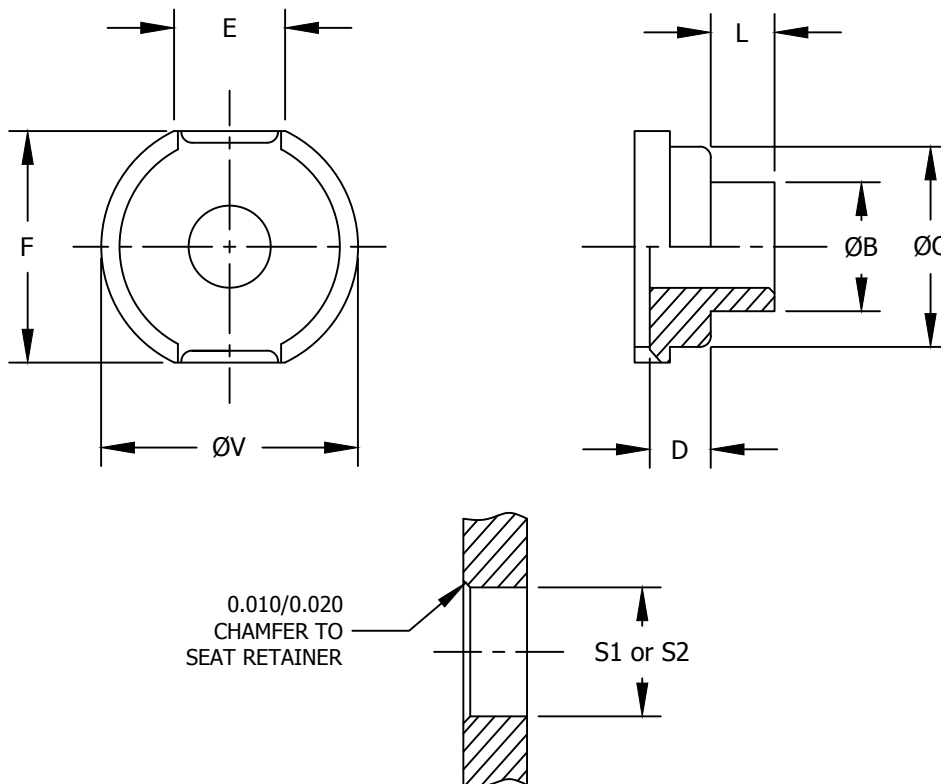


TABLE I - DIMENSIONS AND DASH NUMBERS

NAFCO PART NUMBER	FASTENER DIAMETER	ØB	ØC MAX	D	E NOM	F	R RAD MIN	ØV MAX	STARTING HOLE		L MINIMUM	
									S1	S2	S1	S2
NA2483-3(**)S	.188	.2965	.455	.146	.285	.583	.030	.680	.2984	.2989	.080	.130
		.2953		.580		.2964			.2959			
NA2483-3(**)T	.188	.2965	.455	.146	.285	.583	.030	.680	.2984	.2989	.080	.130
		.2953		.580		.2964			.2959			
NA2483-4(**)S	.250	.3432	.575	.168	.366	.653	.050	.775	.3453	.3458	.070	.120
		.3418		.650		.3433			.3428			
NA2483-4(**)T	.250	.3432	.575	.168	.366	.653	.050	.775	.3453	.3458	.070	.120
		.3418		.650		.3433			.3428			
NA2483-5(**)S	.313	.4052	.735	.193	.435	.813	.050	.935	.4083	---	.100	---
		.4038		.810		.4053			---			
NA2483-5(**)T	.313	.4052	.735	.193	.435	.813	.050	.935	.4083	---	.140	---
		.4038		.810		.4053			---			
NA2483-6(**)S	.375	.4677	.800	.223	.456	.948	.050	1.053	.4708	---	.130	---
		.4663		.945		.4678			---			
NA2483-6(**)T	.375	.4677	.800	.223	.456	.948	.050	1.053	.4708	---	.130	---
		.4663		.945		.4678			---			
NA2483-7(**)S	.438	.5302	.805	.245	.502	.981	.050	1.095	.5333	---	.160	---
		.5288		.978		.5303			---			
NA2483-7(**)T	.438	.5302	.805	.245	.502	.981	.050	1.095	.5333	---	.170	---
		.5288		.978		.5303			---			
NA2483-8(**)S	.500	.5927	.920	.247	.536	1.067	.050	1.180	.5958	---	.170	---
		.5913		1.064		.5928			---			
NA2483-8(**)T	.500	.5927	.920	.247	.536	1.067	.050	1.180	.5958	---	.200	---
		.5913		1.064		.5928			---			

CONFORMS TO:
NASM25027
AS8879

NAFCO USA, LLC
CARSON CITY, NV 89706

PART NUMBER
NA2483

FSCM / CAGE CODE: 32387