



NUT, ANCHOR, MINIATURE, SELF-LOCKING, SHORT LUG, FIXED, CAPPED, 125,000 PSI

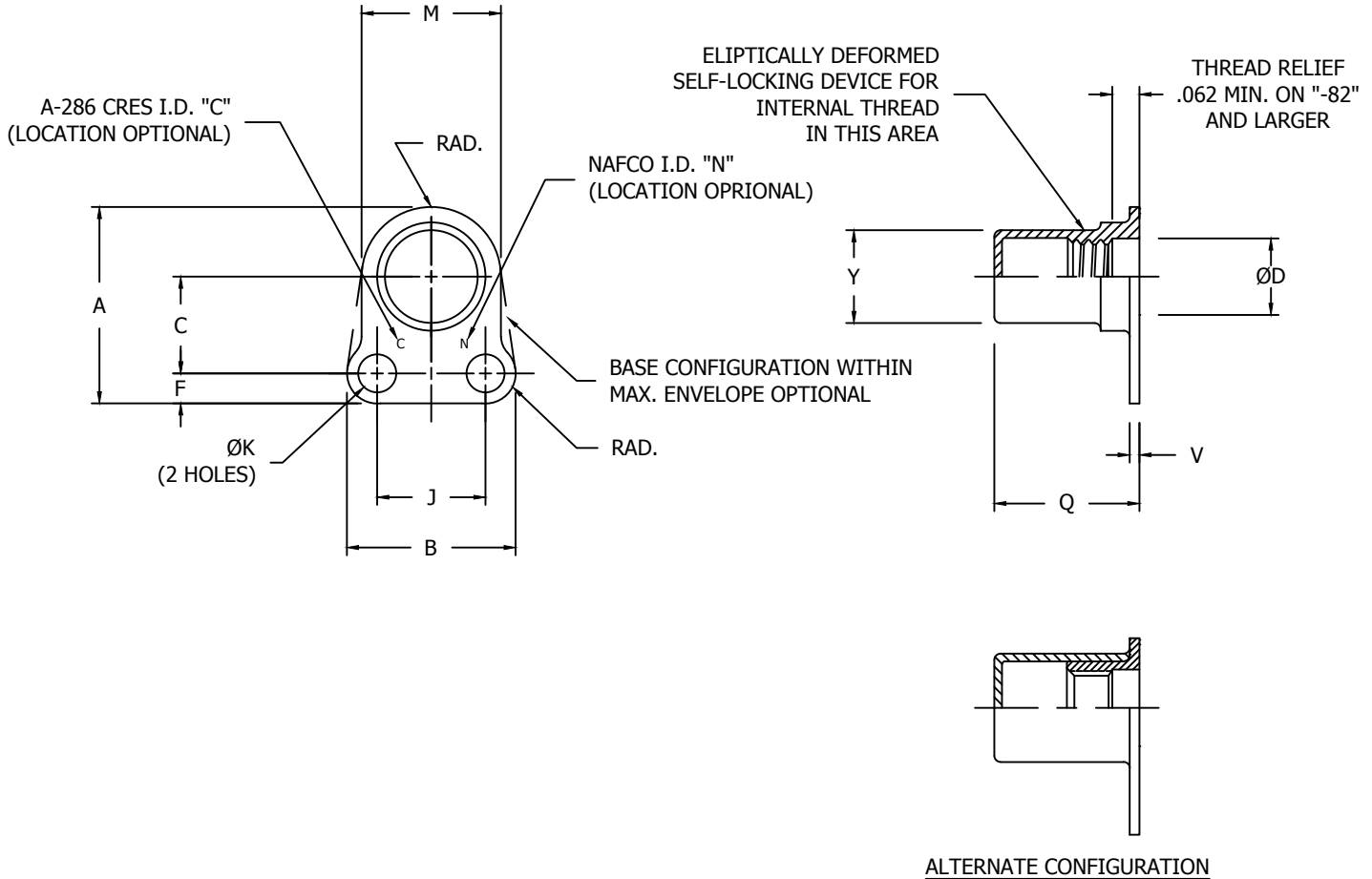


TABLE I - DIMENSIONS AND DASH NUMBERS

NAFCO PART NUMBER		THREAD AS8879	A MAX	B MAX	C ±.005	ØD MIN.	F MIN.	H MAX.	J ±.002	ØK +.005 -.000	M MAX.	Q +.020 -.010	V REF.	Y MAX.	APPROX. WT. LBS./100
STEEL 450°F	CRES 900°F														
NA2138-62K	NA2138C-62K	.1380-32 UNJC-3B	.393	.380	.172	---	.071	.156	.219	.066	.282	.516	.025	.238	.30
NA2138-62K1	NA2138C-62K1											.375			.25
NA2138-82K	NA2138C-82K	.1640-32 UNJC-3B	.486	.437	.234	.168	.100	.228	.219	.098	.297	.516	.032	.262	.32
NA2138-82K1	NA2138C-82K1											.375			.27
NA2138-02K	NA2138C-02K	.1900-32 UNJF-3B	.521	.437	.250	.194	.100	.228	.219	.098	.328	.516	.032	.290	.35
NA2138-02K1	NA2138C-02K1											.375			.30
NA2138-048K	NA2138C-048K	.2500-28 UNJF-3B	.591	.437	.281	.254	.100	.254	.219	.098	.414	.547	.040	.357	.57
NA2138-048K1	NA2138C-048K1											.438			.52

CONFORMS TO:
NASM25027
AS8879

NAFCO USA, LLC
CARSON CITY, NV 89706

PART NUMBER
NA2138
FSC/CAGE CODE: 32387