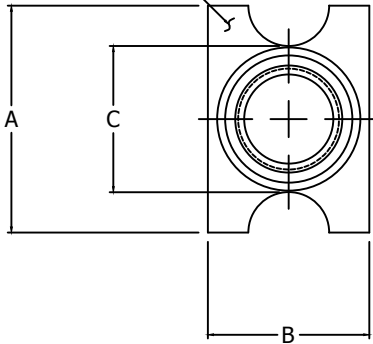


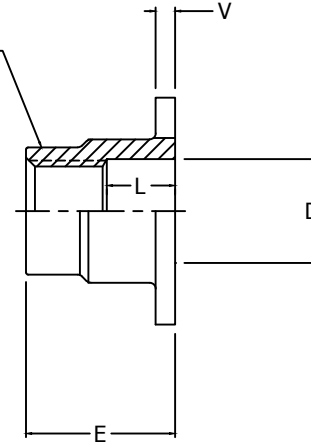


# NUT ELEMENT, SELF-LOCKING, CLIP RETAINED, COUNTERBORE, REPLACEABLE

MARK TOP OF FLANGE WITH "N" NAFCO IDENTIFICATION, SECOND DASH NUMBER, AND "C" FOR CRES MATERIAL. DEPRESSED .010 INCH MAXIMUM. LOCATION OPTIONAL



UPPER THREADED PORTION DEFORMED FOR SELF-LOCKING FEATURE



NAFCO PART NUMBER	THREAD (AS8879)	A ±.005	B ±.005	C ±.005	ØD MIN	E MAX	L C'BORE MIN	V	AXIAL TENSILE STRENGTH MIN. LBS.	MAX WEIGHT LBS/100 PCS.
NA2360-82-1	.1640-32 UNJC-3B	.437	.300	.300	.168	.208	.041	.040	2,000	.16
NA2360-82-2						.270	.100			.23
NA2360-82-3						.333	.163			.28
NA2360-82-4						.396	.225			.33
NA2360-82-5						.458	.288			.38
NA2360-82-6						.520	.350			.43
NA2360-02-1	.1900-32 UNJF-3B	.487	.300	.300	.194	.208	.041	.040	2,825	.16
NA2360-02-2						.270	.100			.23
NA2360-02-3						.333	.163			.28
NA2360-02-4						.396	.225			.33
NA2360-02-5						.458	.288			.38
NA2360-02-6						.520	.350			.43
NA2360-048-1	.2500-28 UNJF-3B	.562	.400	.362	.254	.253	.036	.052	5,060	.37
NA2360-048-2						.315	.100			.47
NA2360-048-3						.377	.163			.56
NA2360-048-4						.439	.225			.64
NA2360-048-5						.501	.288			.74
NA2360-048-6						.563	.350			.82
NA2360-054-1	.3125-24 UNJF-3B	.727	.480	.478	.317	.294	.036	.064	8,000	.70
NA2360-054-2						.350	.100			.76
NA2360-054-3						.411	.163			.87
NA2360-054-4						.474	.225			.99
NA2360-054-5						.536	.288			1.10
NA2360-054-6						.599	.350			1.20
NA2360-064-1	.3750-24 UNJF-3B	.785	.560	.560	.379	.315	.025	.070	11,900	.95
NA2360-064-2						.365	.100			1.15
NA2360-064-3						.428	.145			1.40
NA2360-064-4						.490	.205			1.55
NA2360-064-5						.570	.270			1.70
NA2360-064-6						.623	.330			1.86

CONFORMS TO:  
NASM25027  
NAS3350, CLASS 1  
AS8879

**NAFCO USA, LLC**  
CARSON CITY, NV 89706

PART NUMBER  
**NA2360**  
FSC / CAGE CODE: 32387