



NUT, SELF-LOCKING, PLATE, ONE LUG, LOW HEIGHT, C'BORED, FLOATING, 160 KSI, 450°F, 800°F

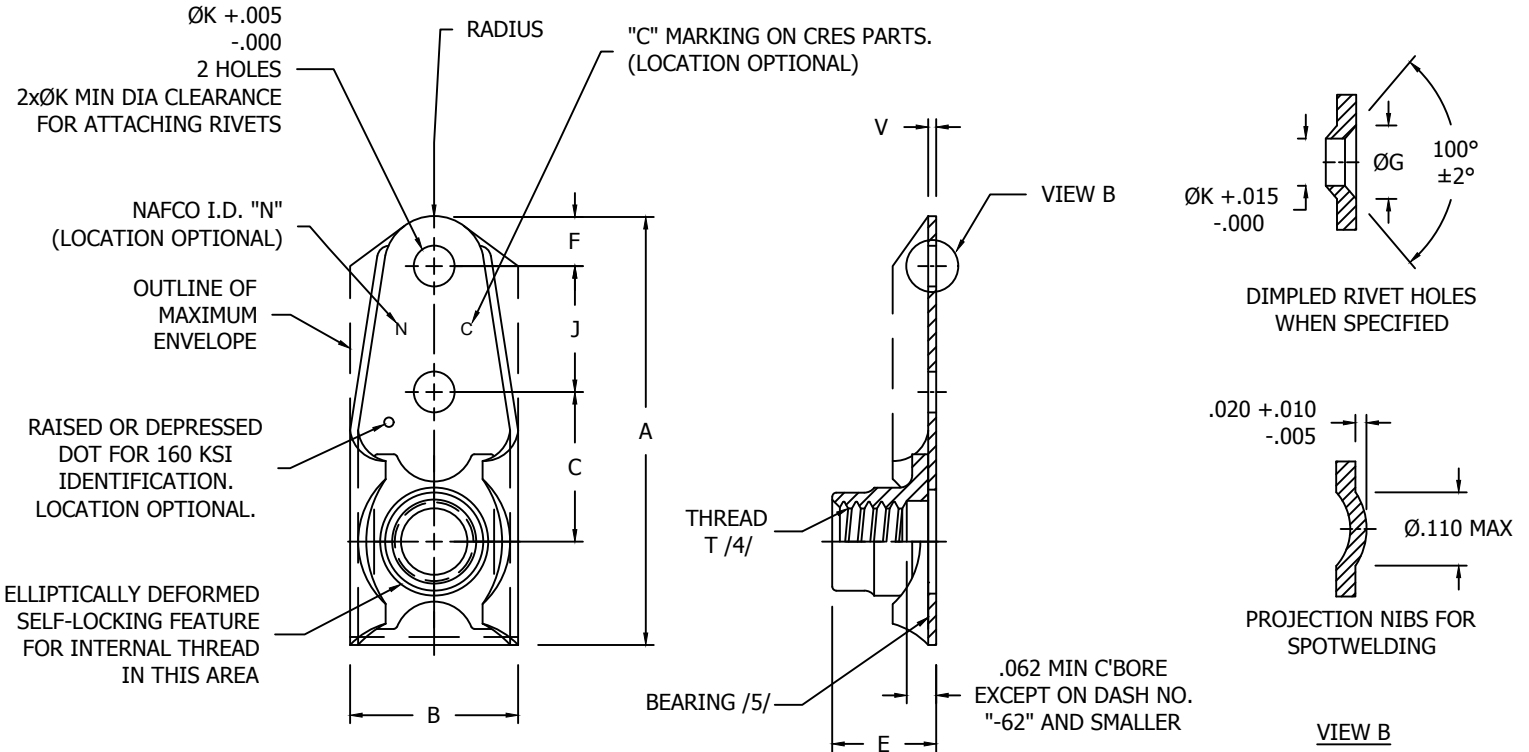


TABLE I - PART DIMENSIONS AND DASH NUMBERS

DASH NUMBER				THREAD T /4/ (AS8879)	A MAX	B		C ±.005	ØD MIN
STEEL		CRES				MAX	MIN		
CAD + MoS2 450°F	CAD W/O MoS2 450°F	SILVER PLATE 800°F	MoS2 450°F						
-40	X-40	CS-40	CM-40	.1120-40 UNJC-3B	1.051	.422	.290	.344	---
-62	X-62	CS-62	CM-62	.1380-32 UNJC-3B	1.051	.422	.290	.344	---
-82	X-82	CS-82	CM-82	.1640-32 UNJC-3B	1.051	.422	.290	.344	.168
-02	X-02	CS-02	CM-02	.1900-32 UNJF-3B	1.051	.422	.290	.344	.194
-048	X-048	CS-048	CM-048	.2500-28 UNJF-3B	1.306	.531	.350	.500	.254
-054	X-054	CS-054	CM-054	.3125-24 UNJF-3B	1.396	.641	.412	.500	.317
-064	X-064	CS-064	CM-064	.3750-24 UNJF-3B	1.441	.685	.455	.500	.379

CONFORMS TO:
AS8879
NAS3350, CLASS II
NASM25027

NAFCO USA, LLC
CARSON CITY, NV 89706

PART NUMBER
NA2304
FSC/CAGE CODE: 32387